

Cash Insurance
 Grant VA _____

PER4MAX THUNDER

Rep.: _____

Event: _____

* Required Information

*REQUIRED INFORMATION

Name*: _____	Date*: _____	SSN#*: XXX - XX - _____
Address*: _____	Age*: _____	Weight (lbs.):* _____
City*: _____	Height:* _____' _____"	Disability*: _____
State*: _____	Zip* _____	Tel #*: (_____) _____ - _____ (Home or Work)
Email*: _____	Other Info: _____	

FRAME SPECIFICATION

Model

THUNDER Retail: \$3,495

7000 Series Add \$500

Radial Add \$500

5/8 Axle Add \$125

SPORT:

Basketball Football/Lacrosse

Tennis Softball (No Front Bumper)

1) Seat Width

12" 13" 14" 15" 16" 17" Other _____

Optional Tapered @ the Knee _____" \$150

Carbon Fiber Knee Support (Tennis Only) \$400

2) Seat Depth

12" 13" 14" 15" 16" 17" Other _____

3) Total Length _____"

4) Rear Seat Height

17" 18" 19" 20" 21" Other _____"

Optional Plastic Seat Plate \$200

Optional Carbon Fiber Seat Plate \$500

5) Front Seat Height

17" 18" 19" 20" 21" Other _____"

6) Backrest Height

8" 10" 12" 14" Other: _____"

Back Height Adj. : From _____" to _____" \$100

7) Back Angle

0° 3° 5°

Other: _____° (⊥ Seat or ⊥ Floor)

8) Foot Width

7" 8" 9" 10" Other: _____"

9) Lower Leg Length _____" (16", 17", etc.)

Footrest Adaptation

10) Backrest To Center Axle

4" 5" 6" 7" Other: _____"

11) Center Axle To Caster Housing

15" 16" 17" 18" Other: _____"

12) Caster Housing To Front Foot Plate

6" Std. Other: _____"

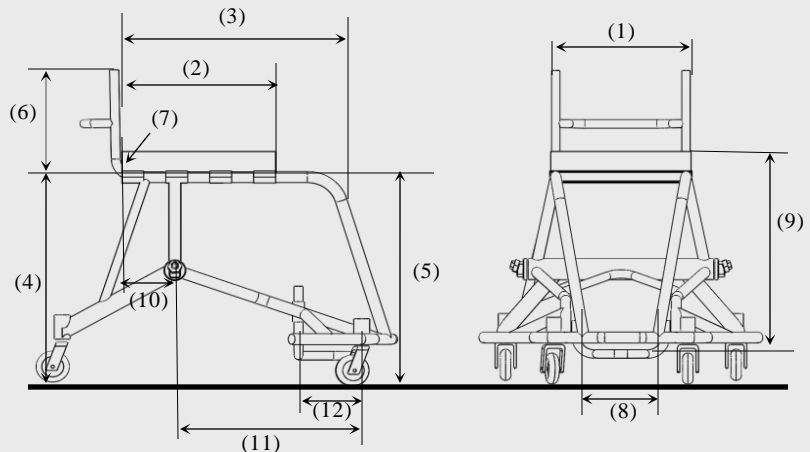
13) Side Wheel Clearance

1/2 1" 1 1/2" 2"

14) Camber Angle

15° 17° 18° 20°

Notes:



*Effective: October 2022

Pricing and specifications are subject to change without notice.

Customer Service
 Telephone: 972-641-6773
 Fax: 972-782-9011

PER4MAX MEDICAL
 www.per4max.com
 Page 1 of 2

2374 NW Dallas St
 Grand Prairie, Texas 75050

PER4MAX THUNDER

FRAME COLORS

- Sky White Bonded Silver Safety Orange Ruby Red (Matte) Glossy Black Matte Black Safety Yellow
 Royal Blue (Matte) Navy Blue (Matte) Charcoal (Matte) Metallic Gray (Matte) Polish (Brushed) + \$100
 Accessory Colors Standard Glossy/Matte Black (NC) Accessory Color/ Special Option _____ (one color additional: \$350)
 Backrest Footrest Side Guards Forks

WHEELCHAIR OPTIONS

5th WHEEL

- Rigid **Std.**
 Dual Rigid \$250

STRAPS

- Waist Click Strap Size _____" \$100
 Lap Click Strap Size _____" \$75
 Foot Click Strap Size _____" \$75
 Pelvi Lock _____" \$375
 Velcro Strap Size _____" \$100

BACKREST

- Rigid **Std.**
 Continuous \$600
 Optional Welded Sideguard/ rail \$500

SIDE GUARDS

- Aluminum \$150
 Carbon Fiber \$600
 Special Size Aluminum (H_____x L_____). \$300

CASTERS

- 3" (72mm) Micro **Std.**
 Other \$TBD

MISCELLANEOUS

- Hard Cushion \$150
 Special Cushion (Roho, Stimulite Etc.) \$TBD
 Foam Impact Guards (Leather/Standard) \$75/\$125
 Tension Backrest Upholstery \$300
 Air Mesh Upholstery \$300
 Footplate (Plastic/Carbon Fiber) \$100/\$250
 Plastic Seat Bucket \$1150
 Other \$TBD

WHEELS & TIRES

WHEELS

- Rear Wheels \$300
 24" 25" 26" 27"
 Spinergy Wheels \$745
 24" 25" 26" 27"
 Black White Blue Red Yellow
 Spinergy Sport Light Extreme (SLX) Add \$200
 X-Laced Add \$50
 Green Orange Pink Purple
 R10 (5/8 Axle) Hub Add \$50

HAND RIMS SYLE

- Hard Anodized 6 tab **Std.**
 Mounting Close to Tire + \$15/wheel
 Hard Anodized 12 tab \$175
 Mounting Close to Tire + \$30/wheel
 Other \$TBD

TIRES

- High Pressure Tires **Std.**
 Schwalbe Speed Air Tires \$150
 IRC (Red Only) \$170
 Other \$TBD

Notes:

*Effective: October 2022

Pricing and specifications are subject to change without notice

Customer Service
 Telephone: 972-641-6773
 Fax: 972-782-9011

PER4MAX MEDICAL
 www.per4max.com
 Page 2 of 2

2374 NW Dallas St
 Grand Prairie, Texas 75050