

- Cash Insurance
 Grant VA _____

REQUIRED INFORMATION

Name: _____ Address: _____ City: _____ State: _____ Zip: _____ Email: _____	Date: _____ SSN# : XXX-XX-_____ Age: _____ Weight (lbs.): _____ Height: _____" Disability: _____ Tel#: () _____ - _____ (Home or Work) Other Info: _____
---	--

FRAME SPECIFICATION

Model

SKYE (K0005) Retail: \$3,295

- 7000 Series.....Add \$500
 5/8 Axle.....Add \$125
 Radial.....Add \$500

1) Seat Width (E2201- WIDTH 20-24")

- 13" 14" 15" 16" 17" 18" Other: _____

2) Seat Depth (E2203- DEPTH 20-22")

- 13" 14" 15" 16" 17" 18" Other: _____

2a) Total Length _____"

3) Rear Seat Height

- 15" 16" 17" 18" 19" 20"

4) Front Seat Height

- 15" 16" 17" 18" 19" 20"

5) Backrest Height

- 10" 12" 14" 16" Other: _____"

- Back Height Adj.: From _____" to _____" \$ 100

6) Back Angle

- 0° 3° 5° Other: _____°

7) Foot Width

- 8" 9" 10" 11" Other: _____"

8) Lower Leg Length _____" (16", 17", etc.)

9) Backrest To Center Axle (C.G)

- 1" 2" 3" Other: _____"

9a) Center Axle to Caster Housing

- 14" 15" 16" 17" Other: _____"

10) Side Wheel Clearance

- 1" 1 1/2" 2"

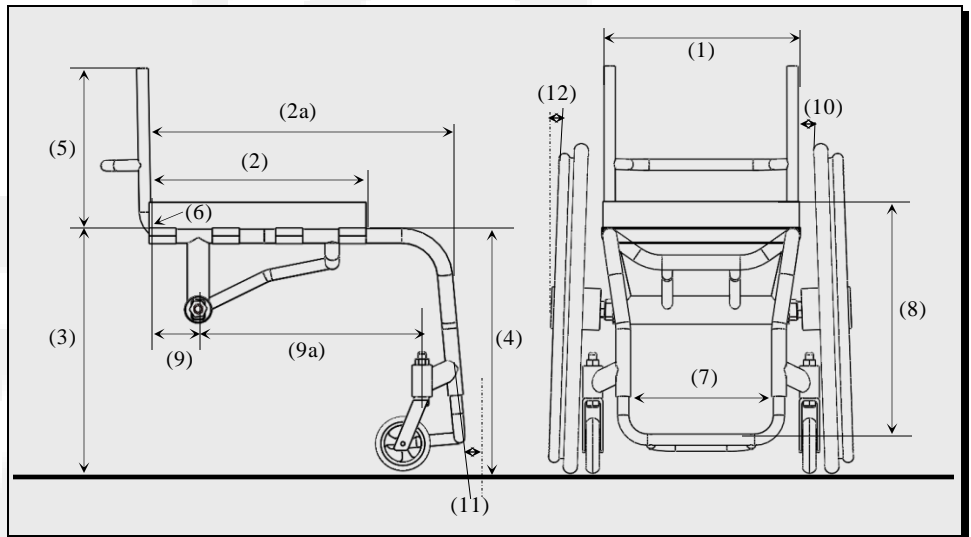
11) Front End Angle Relative to Floor

- 75° 85°

12) Camber Angle

- 0° 2° 3°

Notes:



*Effective: October 2022

Pricing and specifications are subject to change without notice

Customer Service:
 Telephone: 972-641-6773
 Fax: 972-782-9011

PER4MAX MEDICAL
 www.per4max.com
 Page 1 of 2

2374 NW Dallas St
 Grand Prairie, TX 75050

FRAME COLORS

- Sky White Bonded Silver Safety Orange Ruby Red (Matte) Glossy Black Matte Black Safety Yellow
 Royal Blue (Matte) Navy Blue (Matte) Charcoal (Matte) Metallic Gray (Matte) Polish (Brushed) + \$100
 Accessory Colors Standard Glossy or Matte Black (NC) Accessory Color Option _____ (one color additional: \$350)
 Other: _____ \$TBD Backrest Footrest Side Guards Forks

BACKREST WHEELCHAIR OPTIONS

- Rigid.....NC
 Folding.....\$ 300

PUSH HANDLES

- Removable..... \$250
 Retractable..... \$250

SIDE GUARDS (K0108)

- Aluminum (Folding backrest requires removable or integrated) \$150
 Removable.....Add \$150
 Flip and Fold.....Add \$300

- Carbon Fiber.....\$600
 Special Size Aluminum (H_____x L_____)......\$300
 Removable Plastic.....\$250

WHEEL LOCKS (E2206)

- Push Locks.....NC
 Scissors Locks.....\$ 220

CASTERS

- 3" (72mm) Micro.....NC
 4x1.5" Aluminum.....\$120
 5x1.5" Aluminum.....\$150
 Frog Legs (E1015).....\$ 350
 Other _____ \$TBD

MISCELLANEOUS

- Swing Away Armrest (E0994).....\$700
 Anti-Tip Bars (E0971).....\$250
 Special Cushion (Roho, Stimulite Etc.) (E2603).....\$TBD
 Foam Impact Guards (Leather/Standard)\$75/125
 Nylon Pouch\$150
 Footplate (Plastic/Carbon Fiber)\$100/250
 Tension Backrest Upholstery (E2611).....\$300
 Air Mesh Upholstery.....\$300
 Seat Belt (E0978).....\$125
 Other _____ \$TBD

WHEELS WHEELS & TIRES

- Rear Wheels\$300
 22" 24" 25" 26" 27"
 Spinergy Wheels\$745
 22" 24" 25" 26" 27"
 Black White Blue Red Yellow
 Spinergy Light Extreme (LX, SLX).....Add \$200
 X-LacedAdd \$50
 Green Orange Pink Purple

HAND RIMS SYLE

- Hard Anodized 6 tab **Std.**
 Mounting Close to Tire + \$15/wheel
 Q- Grip \$350
 Natural Fit (Please Specify Style)..... \$TBD
 Other _____ \$TBD

TIRES

- High Pressure Tires (E2211, E2212)..... **Std.**
 Schwalbe Marathon Plus \$150
 Primo Sentinel Tire \$125
 All Terrain Tires \$150
 Solid Airless Tires (E2218) \$150
 Other _____ \$TBD

Notes:

**Effective: October 2022*

Pricing and specifications are subject to change without notice

Customer Service:
Telephone: 972-641-6773
Fax: 972-782-9011

PER4MAX MEDICAL
www.per4max.com
Page 2 of 2

2374 NW Dallas St
Grand Prairie, TX 75050