

# The Thunder



The Thunder Basketball chair is one of the toughest, strongest and most reliable products on the market when it comes to performance. It's cool, aerodynamic front end protection bar allows you to break through opposing defense when you are under pressure. The chair is made of 6061-T6 Aluminum Alloy and weighs at an average of 19 pounds. Unlike other customized sports chair, the Thunder can be adjusted at the center of gravity and the footrest position by telescoping the backrest or footrest in/out the main frame. The chair comes with a rigid 5<sup>th</sup> wheel as standard and a removable 5<sup>th</sup> wheel is an option or rigid 6<sup>th</sup> wheel.



Adjustable Side Wheel Clearance Insert



## Standard Features

- Custom Fit to User's Needs
- Rigid 5<sup>th</sup> Wheel
- Adjustable Chair Center of Gravity
- Light Weight 19 lbs. Avg.
- 6061-T6 Aluminum Alloy Frame
- Black Heat Treated Rims
- Black Upholstery
- 3" Front Casters
- Powder Coated Frame
- 3yr. Warranty on Frame

## Optional Features

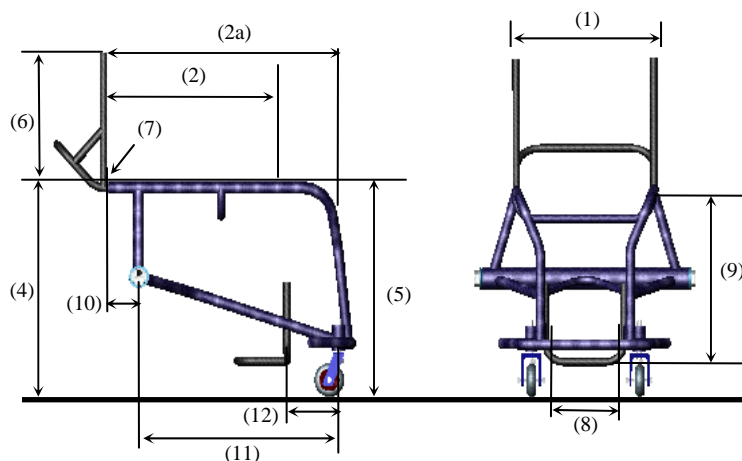
- SPOX Spinerge Wheels
- Spoke Guards
- Special Colors
- Wheel Sizes (700c, 26", etc.)
- 5<sup>th</sup> Wheel (Removable)
- Extra Camber Inserts (0-20°)
- Snap in Click Strap



## Option

Removable 5<sup>th</sup> Wheel  
or  
6<sup>th</sup> Rigid Wheel

# The Thunder



## Standard Measurements (with Ranges)

1) Seat Width	15"	(12"-20")
2) Seat Depth	15"	(12"-20")
3) Tapered Front End	"y"	(Y Style)
4) Rear Seat Height	17"	(14"-21")
5) Front Seat Height	19"	(14"-21")
6) Back Height	10"	(10"-16")
7) Back Angle	0°	(0,3,5°)
8) Foot Width	9"	(6"-14")
9) Lower Leg Length	17"	(10"-23")
10) Back Rest to Axle	4"	(0"-6")
11) Caster to Axle	17"	(15"-19")
12) Caster to Foot Plate	5 3/4"	(5 3/4")
13) Determined By #8	---	-----
14) Side Wheel Clearance	1"	(1/2-2")
15) Camber Angle	15°	(12°-20°)

Waist Strap



Lap Strap

Optional Waist Click Strap and Lap Strap

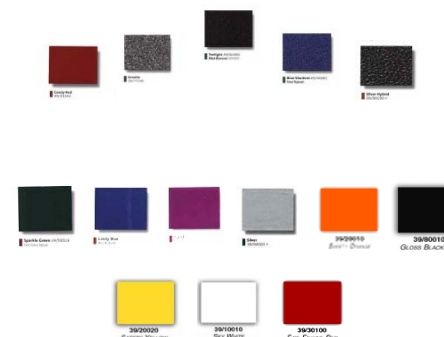


Spinergy Wheels Available with 6 tab or 12 tab Handdrims

## Rear Wheels

- 27 x 1 (23-700)
- 26 x 1 (23-590)
- 25 x 1 (23-559)
- 24 x 1 (23-540)

## Frame Color Options



**PER4MAX MEDICAL**

1000 Post and Paddock Suite #302  
Grand Prairie, Texas 75050  
Phone (972) 641-6773  
Fax (972) 782-9011

**PER4MAX MEDICAL**

[WWW.PER4MAX.COM](http://WWW.PER4MAX.COM)