

- Cash Insurance
 Grant Other _____

PER4MAX X-FIT

Rep.: _____

Event: _____

Name: _____
 Address: _____
 City: _____
 State: _____ Zip: _____
 Email: _____

Date: _____ SSN# : XXX - XX - _____
 Age: _____ Weight (lbs.): _____ Height: _____"
 Disability: _____
 Tel #: () _____ - _____ (Home or Work)
 Other Info: _____

FRAME SPECIFICATION

Model

X-FITRetail: \$3,350
 7000 Series.....Add \$400
 5/8 Axle.....Add \$100

- 1) **Seat Width** (E2201- WIDTH 20-24")
 13" 14" 15" 16" 17" 18" Other: _____"
- 2) **Seat Depth** (E2203- DEPTH 20-22")
 13" 14" 15" 16" 17" 18" Other: _____"
- 2a) **Total Length** _____"
- 3) **Rear Seat Height**
 15" 16" 17" 18" 19" 20"
- 4) **Front Seat Height**
 15" 16" 17" 18" 19" 20"
- 5) **Backrest Height**
 8" 10" 12" 14" Other: _____"
 Back Height Adj.: From _____" to _____"\$ 80
- 6) **Back Angle**
 0° 3° 5° Other: _____°

7) Foot Width

8" 9" 10" 11" Other: _____"

8) Lower Leg Length _____" (16", 17", etc.)

Footrest Adaptation

9) Backrest To Center Axle (C.G.)

0" 1" 2" 3" Other: _____"

9a) Center Axle to Caster Housing

14" 15" 16" 17" Other: _____"

10) Side Wheel Clearance

1" 1 1/2" 2"

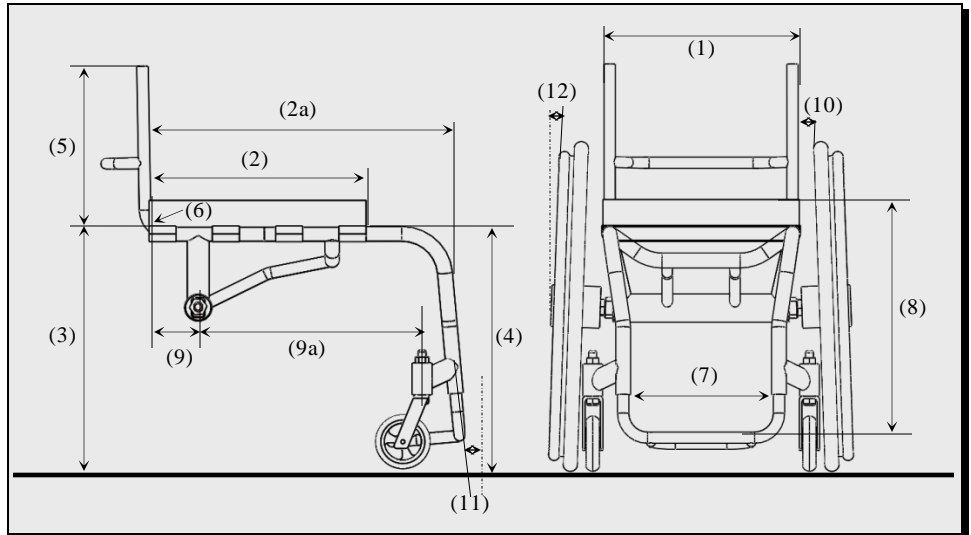
11) Front End Angle Relative to Floor

75° 85°

12) Camber Angle

0° 3° 6° 9°

Notes:



*Effective: January 2022

Pricing and specifications are subject to change without notice

Customer Service:
 Telephone: 972-641-6773
 Fax: 972-782-9011

PER4MAX MEDICAL
 www.per4max.com
 Page 1 of 2

2374 NW Dallas St
 Grand Prairie, TX 75050

PER4MAX X-FIT

FRAME COLORS

- Sky White Bonded Silver Safety Orange Ruby Red (Matte) Glossy Black Matte Black Safety Yellow
 Royal Blue (Matte) Navy Blue (Matte) Charcoal (Matte) Metallic Gray (Matte) Polish (Brushed) + \$50
 Accessory Colors Standard Glossy or Matte Black (NC) Accessory Color Option _____ (one color additional: \$350)
 Other: _____ \$TBD Backrest Footrest Side Guards Forks

WHEELCHAIR OPTIONS

5th WHEEL

- RigidNC
 Removable Anti-Tip\$250

BACK REST

- RigidNC
 Folding\$ 300

SIDE GUARDS (K0108)

- Aluminum (folding backrest requires removable or integrated)...\$150
 Removable ExtraAdd \$90
 Flip and Fold.....Add \$260
 Carbon Fiber.....\$500
 Special Size Aluminum (H_____x L_____)...\$250
 Removable Plastic\$ 225

WHEEL LOCKS (E2206)

- Push LocksNC
 Scissors Locks\$ 250
 D's Locks\$ 1,150

CASTERS

- 3" (72mm) MicroNC
 4x1.5" Aluminum\$100
 5x1.5" Aluminum\$140
 Frog Legs (E1015)\$ 329
 Other \$TBD

MISCELLANEOUS

- Special Cushion (Roho, Stimulite Etc.) (E2603)\$TBD
 Foam Impact Guards (Leather/Standard).....\$75/125
 Nylon Pouch\$ 60
 Footplate (Plastic/Carbon Fiber)\$100/200
 Tension Backrest Upholstery (E2611)\$300
 Air Mesh Upholstery\$250
 Seat Belt (E0978)\$125
 M2 Click Strap _____"\$100
 Other \$TBD

WHEELS & TIRES

FRONTHORNS (Bar bell holder)

- Yes\$250
 NoNC

WHEELS

Rear Wheels\$300

- 22" 24" 25" 26" 27"

Spinergy Wheels\$695

- 22" 24" 25" 26" 27"

- Black White Blue Red Yellow

- Spinergy Light Extreme (LX, SLX).....Add \$200

- X-LacedAdd \$50

- Green Orange Pink Purple

HAND RIMS SYLE

- Hard Anodized 6 tab **Std.**
 Mounting Close to Tire+ \$15/wheel
 Q- Grip\$300
 Natural Fit (Please Specify Style).....\$TBD
 Other\$TBD

TIRES

- High Pressure Tires (E2211, E2212) **Std.**
 Schwalbe Marathon Plus \$150
 Primo Sentinel Tire \$100
 All Terrain Tires \$100
 Solid Airless Tires (E2218) \$110
 Other\$TBD

Notes:

*Effective: January 2022

Pricing and specifications are subject to change without notice

Customer Service:
Telephone: 972-641-6773
Fax: 972-782-9011

PER4MAX MEDICAL
www.per4max.com
Page 2 of 2

2374 NW Dallas St
Grand Prairie, TX 75050