

- Cash Insurance
 Grant Other _____

PER4MAX THUNDER ADJ.

Rep.: _____
Event: _____

Name: _____
Address: _____
City: _____
State: _____ Zip: _____
Email: _____

Date: _____ SSN#: XXX-XX-_____
Age: _____ Weight (lbs.): _____ Height: _____"
Disability: _____
Tel#: () _____ - _____ (Home or Work)
Other Info: _____

FRAME SPECIFICATION

Model

- THUNDER ADJ.Retail: \$4,050
 7000 Series.....Add \$400
 Radial.....Add \$400
 5/8 Axle.....Add \$100

SPORT:

- Basketball Tennis Softball (No Front Bumper)

1) Seat Width

- 12" 13" 14" 15" 16" 17" Other _____

2) Seat Depth

- 12" 13" 14" 15" 16" 17" Other _____

3) Total Length _____"

4) Rear Seat Height

Maximum: _____" Minimum: _____"

5) Front Seat Height

- 17" 18" 19" 20" 21" Other _____"

6) Backrest Height

- 8" 10" 12" 14" Other: _____"

Back Height Adj.: From _____" to _____" **Std.**

7) Back Angle

- 0° 3° 5°

Other: _____° (⊥ Seat or ⊥ Floor)

8) Foot Width

- 7" 8" 9" 10" Other: _____"

9) Lower Leg Length _____" (16", 17", etc.)

Footrest Adaptation

10) Backrest To Center Axle

- 4" 5" 6" 7" Other: _____"

11) Center Axle To Caster Housing

- 15" 16" 17" 18" Other: _____"

12) Caster Housing To Front Foot Plate

- 6" Std. Other: _____"

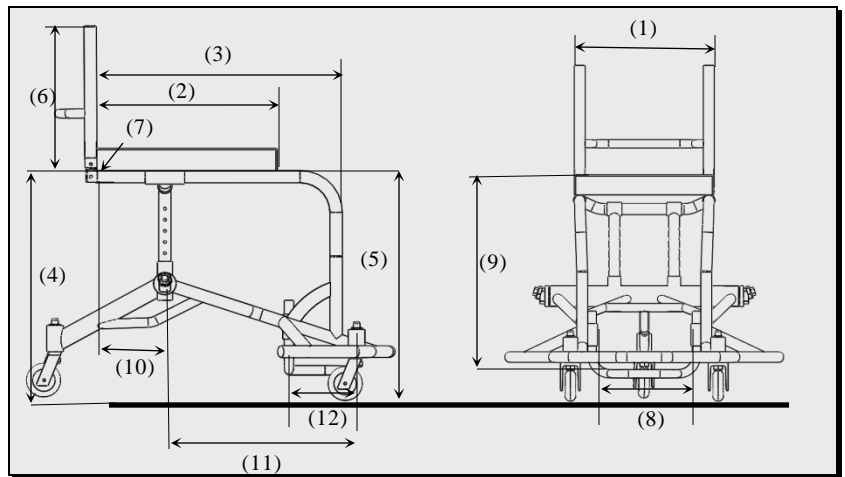
13) Side Wheel Clearance

- 1/2" 1" 1/2" 2"

14) Camber Angle

- 15° 17° 8° 20°

Notes:



*Effective: January 2022

Pricing and specifications are subject to change without notice.

Customer Service Telephone: 972-641-6773 Fax: 972-782-9011	<p align="center"> PER4MAX MEDICAL www.per4max.com Page 1 of 2 </p>	2374 NW Dallas St Grand Prairie, Texas 75050
--	---	---

PER4MAX THUNDERADJ.

FRAME COLORS

- Sky White Bonded Silver Safety Orange Ruby Red (Matte) Glossy Black Matte Black Safety Yellow
 Royal Blue (Matte) Navy Blue (Matte) Charcoal (Matte) Metallic Gray (Matte) Polish (Brushed) + \$50
 Accessory Colors Standard Glossy or Matte Black (NC) Accessory Color Option _____ (one color additional: \$350)
 Other: _____ \$TBD Backrest Footrest Side Guards Forks

WHEELCHAIR OPTIONS

5th WHEEL

- Rigid **Std.**
 Dual Rigid \$250

CLICK STRAP (8", 10" or 12")

- Waist Strap Size _____" \$100
 Lap Strap Size _____" \$75
 Foot Strap Size _____" \$75

SIDE GUARDS (std. fixed)

- Aluminum **Std.**
 Carbon Fiber \$500
 Special Size Aluminum (H_____ x L_____). \$250

CASTERS

- 3" (72mm) Micro **Std.**
 Other \$TBD

MISCELLANEOUS

- Hard Cushion \$140
 Special Cushion (Roho, Stimulite Etc.) \$TBD
 Foam Impact Guards (Leather/Standard) \$75/125
 Air Mesh Upholstery \$250
 Tension Backrest Upholstery \$300
 Footplate (Plastic/Carbon Fiber) \$100/ \$200
 Other \$TBD

WHEELS & TIRES

WHEELS

- Rear Wheels \$300
 24" 25" 26" 27"
 Spinergy Wheels \$695
 24" 25" 26" 27"
 Black White Blue Red Yellow
 Spinergy Sport Light Extreme (SLX) add \$200
 X-Laced Add \$50
 Green Orange Pink Purple
 Rio Add \$50

HAND RIMS SYLE

- Hard Anodized 6 tab **Std.**
 Mounting Close to Tire + \$15/wheel
 Hard Anodized 12 tab \$95
 Mounting Close to Tire + \$30/wheel
 Other \$TBD

TIRES

- High Pressure Tires **Std.**
 Schwalbe Speed Air Tires \$150
 IRC (Red Only) \$170
 Kenda (Specify color) \$60
 Other \$TBD

Notes:

*Effective: January 2022

Pricing and specifications are subject to change without notice

Customer Service
 Telephone: 972-641-6773
 Fax: 972-782-9011

PER4MAX MEDICAL
 www.per4max.com
 Page 2 of 2

2374 NW Dallas St
 Grand Prairie, Texas 75050