

- Cash       Insurance  
 Grant       VA \_\_\_\_\_

# PER4MAX CATAPULT

Rep.: \_\_\_\_\_  
 Event: \_\_\_\_\_

Name: \_\_\_\_\_  
 Address: \_\_\_\_\_  
 City: \_\_\_\_\_  
 State: \_\_\_\_\_ Zip: \_\_\_\_\_  
 Email: \_\_\_\_\_

Date: \_\_\_\_\_ SSN# : XXX - XX - \_\_\_\_\_  
 Age: \_\_\_\_\_ Weight (lbs.): \_\_\_\_\_ Height: \_\_\_\_\_' \_\_\_\_\_"  
 Disability: \_\_\_\_\_  
 Tel #: (      ) \_\_\_\_\_ - \_\_\_\_\_ (Home or Work)  
 Other Info: \_\_\_\_\_

## FRAME SPECIFICATION

### Model

CATAPULT ..... Retail: \$1,895

### 1) Seat Width

- 14"    16"    18"    20"    22"    Other: \_\_\_\_\_"

### 2) Seat Depth

- 14"    16"    18"    20"    22"    Other: \_\_\_\_\_"

### 3) Seat Height

27 1/2" (Maximum Height with 2" Cushion is 29 1/2")

Other \_\_\_\_\_"

### 4a) Backrest Height Minimum

- 10"    12"    14"    16"    Other: \_\_\_\_\_"

### 4b) Backrest Height Maximum (4" Travel)

- 14"    16"    18"    20"    Other: \_\_\_\_\_"

### 5) Lower Leg Length \_\_\_\_\_" (16", 17", etc.)

### 6) Strap Location relative to backrest \_\_\_\_\_" (6", 7", etc.)

### Frame Options:

- Optional Pole \_\_\_\_\_' ..... \$200  
 Optional Adjustable Depth Backrest..... \$250

## FRAME COLORS

- Sky White       Bonded Silver       Navy Blue  
 Ruby Red       Glossy Black       Matte Black  
 Safety Yellow       Royal Blue       Matte Charcoal Gray  
 Metallic Gray       Safety Orange       Polish (Brushed) + \$50  
 Other Color: \_\_\_\_\_ (additional: \$350)

## OPTIONS

### CLICK STRAP

- Waist Strap Size \_\_\_\_\_" .....\$100  
 Foot Strap Size \_\_\_\_\_" .....\$75

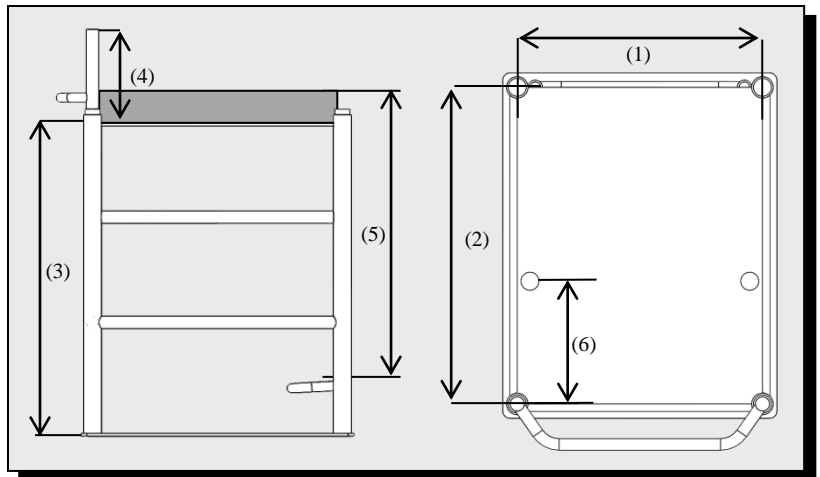
### Wheels

- 4"x1.5 Plastic Caster Assembly Set (Qty 3).....\$250  
 4"x1.5 Aluminum Caster Assembly Set (Qty 3) .....\$350

### Cushion

- 2" Cushion .....STD  
 Hard Cushion .....\$140  
 Special Cushion (Roho, Stimulite Etc.).....\$TBD

# Notes:



\*Effective: June 2021

Pricing and specifications are subject to change without notice.

Customer Service Telephone: 972-641-6773 Fax: 972-782-9011	<p style="text-align: center;"><b>PER4MAX MEDICAL</b>          www.per4max.com          Page 1 of 1</p>	2374 NW Dallas St Grand Prairie, Texas 75050
--	---	---