

- Cash       Insurance  
 Grant       Other \_\_\_\_\_

# PER4MAX X-FIT

Rep.: \_\_\_\_\_  
 Event: \_\_\_\_\_

Name: \_\_\_\_\_  
 Address: \_\_\_\_\_  
 City: \_\_\_\_\_  
 State: \_\_\_\_\_ Zip: \_\_\_\_\_  
 Email: \_\_\_\_\_

Date: \_\_\_\_\_ SSN# : XXX - XX - \_\_\_\_\_  
 Age: \_\_\_\_\_ Weight (lbs.): \_\_\_\_\_ Height: \_\_\_\_\_"  
 Disability: \_\_\_\_\_  
 Tel #: (      ) \_\_\_\_\_ - \_\_\_\_\_ (Home or Work)  
 Other Info: \_\_\_\_\_

## FRAME SPECIFICATION

### Model

X-FIT .....Retail: \$3,195

- 7000 Series.....Add \$400  
 5/8 Axle.....Add \$100

### 1) Seat Width (E2201- WIDTH 20-24")

- 13"  14"  15"  16"  17"  18"  Other \_\_\_\_\_

### 2) Seat Depth (E2203- DEPTH 20-22")

- 13"  14"  15"  16"  17"  18"  Other \_\_\_\_\_

### 2a) Total Length \_\_\_\_\_"

### 3) Rear Seat Height

- 15"  16"  17"  18"  19"  20"

### 4) Front Seat Height

- 15"  16"  17"  18"  19"  20"

### 5) Backrest Height

- 8"  10"  12"  14"  Other: \_\_\_\_\_"

Back Height Adj.: From \_\_\_\_\_" to \_\_\_\_\_" .....\$ 80

### 6) Back Angle

- 0°  3°  5°  Other: \_\_\_\_\_°

### 7) Foot Width

- 8"  9"  10"  11"  Other: \_\_\_\_\_"

### 8) Lower Leg Length \_\_\_\_\_" (16", 17", etc.)

Footrest Adaptation

### 9) Backrest To Center Axle (C.G)

- 0"  1"  2"  3"  Other: \_\_\_\_\_"

### 9a) Center Axle to Caster Housing

- 14"  15"  16"  17"  Other: \_\_\_\_\_"

### 10) Side Wheel Clearance

- 1"  1 1/2"  2"

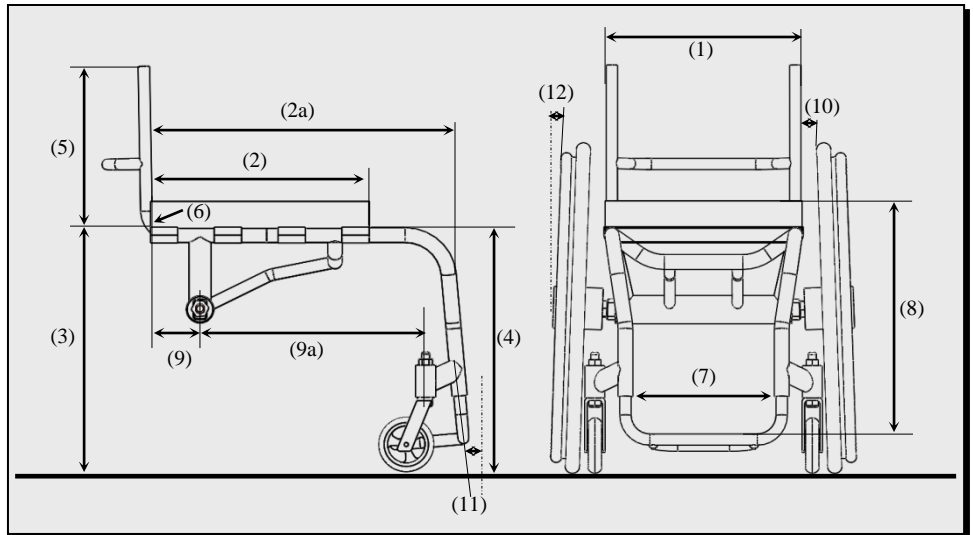
### 11) Front End Angle Relative to Floor

- 75°  85°

### 12) Camber Angle

- 0°  3°  6°  9°

# Notes:



\*Effective: January 2021

Pricing and specifications are subject to change without notice

Customer Service:  
 Telephone: 972-641-6773  
 Fax: 972-782-9011

**PER4MAX MEDICAL**  
 www.per4max.com  
 Page 1 of 2

2374 NW Dallas St  
 Grand Prairie, TX 75050

# PER4MAX X-FIT

## FRAME COLORS

- Sky White     Bonded Silver     Safety Orange     Ruby Red (Matte)     Glossy Black     Matte Black     Safety Yellow  
 Royal Blue (Matte)     Navy Blue (Matte)     Charcoal (Matte)     Metallic Gray (Matte)     Polish (Brushed) + \$50  
 Accessory Colors Standard Glossy or Matte Black (NC)     Accessory Color Option \_\_\_\_\_ (one color additional: \$350)  
 Other: \_\_\_\_\_ \$TBD     Backrest     Footrest     Side Guards     Forks

## WHEELCHAIR OPTIONS

### 5<sup>th</sup> WHEEL

- Rigid .....NC  
 Removable Anti-Tip .....\$250

### BACK REST

- Rigid .....NC  
 Folding .....\$ 300

### SIDE GUARDS (K0108)

- Aluminum (folding backrest requires removable or integrated)...\$150  
      Removable Extra .....Add \$90  
      Flip and Fold.....Add \$260  
 Carbon Fiber.....\$500  
 Special Size Aluminum (H\_\_\_\_\_ x L\_\_\_\_\_ ).....\$250  
 Removable Plastic .....\$ 225

### WHEEL LOCKS (E2206)

- Push Locks .....NC  
 Scissors Locks .....\$ 220  
 D's Locks .....\$ 1,150

### CASTERS

- 3" (72mm) Micro .....NC  
 4x1.5" Aluminum .....\$100  
 5x1.5" Aluminum .....\$140  
 Frog Legs (E1015) .....\$ 329  
 Other \_\_\_\_\_ \$TBD

### MISCELLANEOUS

- Special Cushion (Roho, Stimulite Etc.) (E2603) .....\$TBD  
 Foam Impact Guards (Leather/Standard).....\$75/125  
 Nylon Pouch .....\$ 60  
 Footplate (Plastic/Carbon Fiber) .....\$100/175  
 Tension Backrest Upholstery (E2611) .....\$300  
 Air Mesh Upholstery .....\$200  
 Seat Belt (E0978) .....\$125  
 M2 Click Strap \_\_\_\_\_" .....\$100  
 Other \_\_\_\_\_ \$TBD

## WHEELS & TIRES

### FRONT HORNS (Bar bell holder)

- Yes .....\$250  
 No .....NC

### WHEELS

- Rear Wheels .....\$300  
 22"     24"     25"     26"     27"  
 Spinergy Wheels .....\$695  
 22"     24"     25"     26"     27"  
      Black     White     Blue     Red     Yellow  
 Spinergy Light Extreme (LX, SLX).....Add \$200  
      X-Laced .....Add \$50  
      Green     Orange     Pink     Purple

### HAND RIMS SYLE

- Hard Anodized 6 tab ..... **Std.**  
      Mounting Close to Tire + \$15/wheel  
 Q- Grip .....\$300  
 Natural Fit (Please Specify Style).....\$TBD  
 Other \_\_\_\_\_ \$TBD

### TIRES

- High Pressure Tires (E2211, E2212) ..... **Std.**  
 Schwalbe Marathon Plus ..... \$150  
 Primo Sentinel Tire ..... \$100  
 All Terrain Tires ..... \$100  
 Solid Airless Tires (E2218) ..... \$110  
 Other \_\_\_\_\_ \$TBD

# Notes:

*\*Effective: January 2021*

*Pricing and specifications are subject to change without notice*

Customer Service:  
Telephone: 972-641-6773  
Fax: 972-782-9011

**PER4MAX MEDICAL**

www.per4max.com

Page 2 of 2

2374 NW Dallas St  
Grand Prairie, TX 75050