

Cash     Insurance  
 Grant     VA \_\_\_\_\_

Rep.: \_\_\_\_\_  
 Event: \_\_\_\_\_

Name: \_\_\_\_\_  
 Address: \_\_\_\_\_  
 City: \_\_\_\_\_  
 State: \_\_\_\_\_ Zip: \_\_\_\_\_  
 Email: \_\_\_\_\_

Date: \_\_\_\_\_ SSN#: XXX - XX - \_\_\_\_\_  
 Age: \_\_\_\_\_ Weight (lbs.): \_\_\_\_\_ Height: \_\_\_\_\_"  
 Disability: \_\_\_\_\_  
 Tel #: ( ) \_\_\_\_\_ - \_\_\_\_\_ (Home or Work)  
 Other Info: \_\_\_\_\_

## FRAME SPECIFICATION

### Model

SKYE (K0005) ..... Retail: \$2,895  
 7000 Series.....Add \$400  
 5/8 Axle.....Add \$100  
 Radial.....Add \$350

#### 1) Seat Width (E2201- WIDTH 20-24")

13"  14"  15"  16"  17"  18"  Other \_\_\_\_\_

#### 2) Seat Depth (E2203- DEPTH 20-22")

13"  14"  15"  16"  17"  18"  Other \_\_\_\_\_

#### 2a) Total Length \_\_\_\_\_"

#### 3) Rear Seat Height

15"  16"  17"  18"  19"  20"

#### 4) Front Seat Height

15"  16"  17"  18"  19"  20"

#### 5) Backrest Height

10"  12"  14"  16"  Other: \_\_\_\_\_"

Back Height Adj.: From \_\_\_\_\_" to \_\_\_\_\_" ..... \$ 80

#### 6) Back Angle

0°  3°  5°  Other: \_\_\_\_\_°

#### 7) Foot Width

8"  9"  10"  11"  Other: \_\_\_\_\_"

#### 8) Lower Leg Length \_\_\_\_\_" (16", 17", etc.)

#### 9) Backrest To Center Axle (C.G)

1"  2"  3"  Other: \_\_\_\_\_"

#### 9a) Center Axle to Caster Housing

14"  15"  16"  17"  Other: \_\_\_\_\_"

#### 10) Side Wheel Clearance

1"  1 1/2"  2"

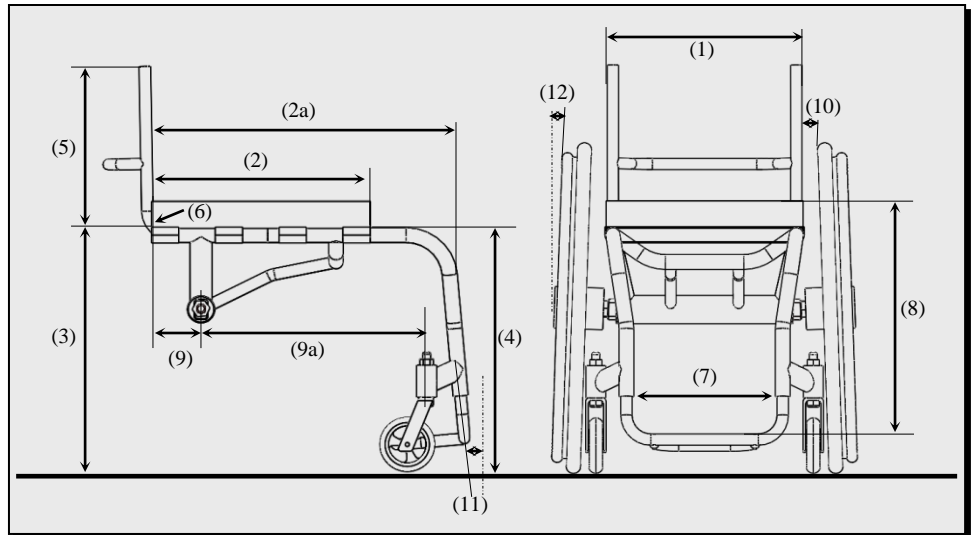
#### 11) Front End Angle Relative to Floor

75°  85°

#### 12) Camber Angle

0°  2°  3°

# Notes:



\*Effective: January 2021

Pricing and specifications are subject to change without notice

Customer Service:  
 Telephone: 972-641-6773  
 Fax: 972-782-9011

**PER4MAX MEDICAL**  
 www.per4max.com  
 Page 1 of 2

2374 NW Dallas St  
 Grand Prairie, TX 75050

## FRAME COLORS

- Sky White     Bonded Silver     Safety Orange     Ruby Red (Matte)     Glossy Black     Matte Black     Safety Yellow  
 Royal Blue (Matte)     Navy Blue (Matte)     Charcoal (Matte)     Metallic Gray (Matte)     Polish (Brushed) + \$50  
 Accessory Colors Standard Glossy or Matte Black (NC)     Accessory Color Option \_\_\_\_\_ (one color additional: \$350)  
 Other: \_\_\_\_\_ \$TBD     Backrest     Footrest     Side Guards     Forks

## BACK REST      WHEELCHAIR OPTIONS

- Rigid.....NC  
 Folding.....\$ 300

### PUSH HANDLES

- Removable.....\$250  
 Retractable.....\$250

### SIDE GUARDS (K0108)

- Aluminum (Folding backrest requires removable or integrated) \$150  
      Removable.....Add \$90  
      Flip and Fold.....Add \$260

- Carbon Fiber.....\$500  
 Special Size Aluminum (H \_\_\_\_\_ x L \_\_\_\_\_).....\$250  
 Removable Plastic.....\$225

### WHEEL LOCKS (E2206)

- Push Locks.....NC  
 Scissors Locks.....\$ 220  
 D's Locks.....\$1,150

### CASTERS

- 3" (72mm) Micro .....NC  
 4x1.5" Aluminum.....\$100  
 5x1.5" Aluminum.....\$140  
 Frog Legs (E1015).....\$ 329  
 Other \_\_\_\_\_ \$TBD

### MISCELLANEOUS

- Swing Away Armrest (E0994).....\$350  
 Anti-Tip Bars (E0971).....\$250  
 Special Cushion (Roho, Stimulite Etc.) (E2603).....\$TBD  
 Foam Impact Guards (Leather/Standard) .....\$75/125  
 Nylon Pouch .....\$150  
 Footplate (Plastic/Carbon Fiber) .....\$100/175  
 Tension Backrest Upholstery (E2611).....\$300  
 Air Mesh Upholstery.....\$200  
 Seat Belt (E0978).....\$125  
 Other \_\_\_\_\_ \$TBD

## WHEELS      WHEELS & TIRES

Rear Wheels .....\$300

- 22"     24"     25"     26"     27"

Spinergy Wheels .....\$695

- 22"     24"     25"     26"     27"

- Black     White     Blue     Red     Yellow

Spinergy Light Extreme (LX, SLX).....Add \$200

X-Laced .....Add \$50

- Green     Orange     Pink     Purple

### HAND RIMS STYLE

Hard Anodized 6 tab ..... **Std.**

Mounting Close to Tire + \$15/wheel

Q- Grip ..... \$300

Natural Fit (Please Specify Style)..... \$TBD

Other \_\_\_\_\_ \$TBD

### TIRES

High Pressure Tires (E2211, E2212)..... **Std.**

Schwalbe Marathon Plus ..... \$150

Primo Sentinel Tire ..... \$100

All Terrain Tires ..... \$100

Solid Airless Tires (E2218) ..... \$110

Other \_\_\_\_\_ \$TBD

# Notes:

*\*Effective: January 2021*

*Pricing and specifications are subject to change without notice*

Customer Service:  
Telephone: 972-641-6773  
Fax: 972-782-9011

**PER4MAX MEDICAL**

www.per4max.com

Page 2 of 2

2374 NW Dallas St  
Grand Prairie, TX 75050