

- Cash Insurance
- Grant VA _____

PER4MAX LIGHTNING

Rep.: _____
 Event: _____

Name: _____
 Address: _____
 City: _____
 State: _____ Zip: _____
 Email: _____

Date: _____ SSN# : XXX - XX - _____
 Age: _____ Weight (lbs.): _____ Height: _____"
 Disability: _____
 Tel #: () _____ - _____ (Home or Work)
 Other Info: _____

FRAME SPECIFICATION

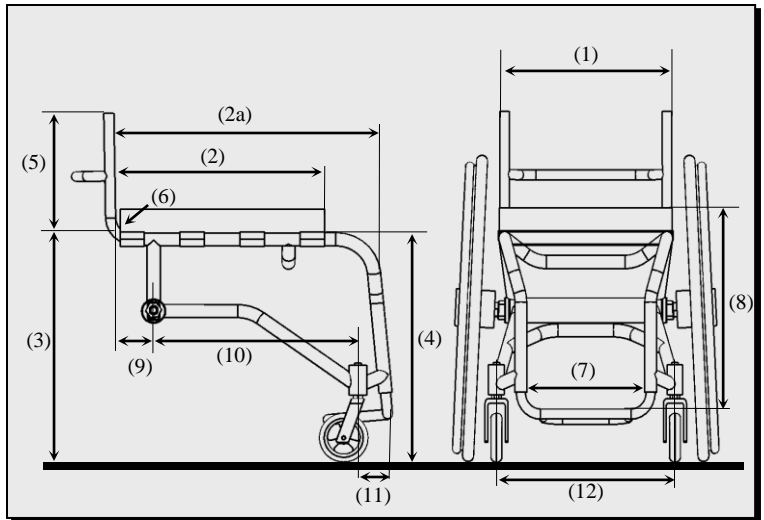
Model

- LIGHTNINGRetail: \$3,095
- 7000 Series.....Add \$400
 - 5/8 Axle.....Add \$100
 - Radial.....Add \$350

- 1) **Seat Width** (E2201- WIDTH 20-24")
 13" 14" 15" 16" 17" 18" Other _____
- 2) **Seat Depth** (E2203- DEPTH 20-22")
 13" 14" 15" 16" 17" 18" Other _____
- 2a) **Total Length** _____"
- 3) **Rear Seat Height**
 15" 16" 17" 18" 19" 20"
- 4) **Front Seat Height**
 15" 16" 17" 18" 19" 20"
- 5) **Backrest Height**
 10" 12" 14" 16" Other: _____"
 Back Height Adj.: From _____" to _____" \$ 80

- 6) **Back Angle**
 0° 3° 5° Other: _____°
- 7) **Foot Width**
 8" 9" 10" 11" Other: _____"
- 8) **Lower Leg Length** _____" (16", 17", etc.)
- 9) **Backrest To Center Axle (C.G)**
 1" 2" 3" Other: _____"
- 10) **Center Axle to Caster Housing**
 14" 15" 16" 17" Other: _____"
- 11) **Caster Housing to Front Foot Plate**
 1" 2" 3" Other: _____"
- 12) **Center of Caster to Caster**
 12" 14" 16" 18" Other: _____"
- 13) **Side Wheel Clearance**
 1" 1/2" 2"
- 14) **Camber Angle**
 0° 2° 3°

Notes:



*Effective: January 2021

Pricing and specifications are subject to change without notice

Customer Service: Telephone: 972-641-6773 Fax: 972-782-9011	PER4MAX MEDICAL www.per4max.com Page 1 of 2	2374 NW Dallas St Grand Prairie, TX 75050
---	---	--

PER4MAX LIGHTNING

FRAME COLORS

- Sky White Bonded Silver Safety Orange Ruby Red (Matte) Glossy Black Matte Black Safety Yellow
 Royal Blue (Matte) Navy Blue (Matte) Charcoal (Matte) Metallic Gray (Matte) Polish (Brushed) + \$50
 Accessory Colors Standard Glossy or Matte Black (NC) Accessory Color Option _____ (one color additional: \$350)
 Other: _____ \$TBD Backrest Footrest Side Guards Forks

BACK REST WHEELCHAIR OPTIONS

- Rigid.....NC
 Folding.....\$ 300

PUSH HANDLES

- Removable..... \$250
 Retractable..... \$250

SIDE GUARDS (K0108)

- Aluminum (Folding backrest requires removable or integrated) \$150
 Removable.....Add \$90
 Flip and Fold.....Add \$260

- Carbon Fiber.....\$500
 Special Size Aluminum (H _____ x L _____).....\$250
 Removable Plastic.....\$225

WHEEL LOCKS (E2206)

- Push Locks.....NC
 Scissors Locks.....\$ 220
 D's Locks.....\$1,150

CASTERS

- 3" (72mm) MicroNC
 4x1.5" Aluminum.....\$100
 5x1.5" Aluminum.....\$140
 Frog Legs (E1015).....\$ 329
 Other _____ \$TBD

MISCELLANEOUS

- Swing Away Armrest (E0994).....\$350
 Anti-Tip Bars (E0971).....\$250
 Special Cushion (Roho, Stimulite Etc.) (E2603).....\$TBD
 Foam Impact Guards (Leather/Standard)\$75/125
 Nylon Pouch\$150
 Footplate (Plastic/Carbon Fiber)\$100/175
 Tension Backrest Upholstery (E2611).....\$300
 Air Mesh Upholstery.....\$200
 Seat Belt (E0978).....\$125
 Other _____ \$TBD

WHEELS & TIRES

WHEELS

- Rear Wheels\$300
 22" 24" 25" 26" 27"
 Spinergy Wheels\$695
 22" 24" 25" 26" 27"
 Black White Blue Red Yellow
 Spinergy Light Extreme (LX, SLX).....Add \$200
 X-LacedAdd \$50
 Green Orange Pink Purple

HAND RIMS SYLE

- Hard Anodized 6 tab **Std.**
 Mounting Close to Tire + \$15/wheel
 Q- Grip \$300
 Natural Fit (Please Specify Style)..... \$TBD
 Other _____ \$TBD

TIRES

- High Pressure Tires (E2211, E2212)..... **Std.**
 Schwalbe Marathon Plus \$150
 Primo Sentinel Tire \$100
 All Terrain Tires \$100
 Solid Airless Tires (E2218) \$110
 Other _____ \$TBD

Notes:

*Effective: January 2021

Pricing and specifications are subject to change without notice

Customer Service:
Telephone: 972-641-6773
Fax: 972-782-9011

PER4MAX MEDICAL
www.per4max.com
Page 2 of 2

2374 NW Dallas St
Grand Prairie, TX 75050