

- Cash
- Insurance
- Grant
- Other _____

PER4MAX X-FIT

Rep.: _____
Event: _____

Name: _____
Address: _____
City: _____
State: _____ Zip: _____
Email: _____

Date: _____ SSN#: XXX - XX - _____
Age: _____ Weight (lbs.): _____ Height: _____"
Disability: _____
Tel #: () _____ - _____ (Home or Work)
Other Info: _____

FRAME SPECIFICATION

Model

X-FIT Retail: \$2,995

- 7000 Series.....Add \$400
- 5/8 Axle.....Add \$100

1) Seat Width (E2201- WIDTH 20-24")

- 14" • 15" 16" • 17" 18"

2) Seat Depth (E2203- DEPTH 20-22")

- 14" • 15" 16" • 17" 18"

2a) Total Length _____"

3) Rear Seat Height

- 15" • 16" 17" • 18" 19" • 20"

4) Front Seat Height

- 15" • 16" 17" • 18" 19" • 20"

5) Backrest Height

- 8" 10" 12" • 14" • Other: _____"
- Back Height Adj.: From _____" to _____" \$ 80

6) Back Angle

- 0° • 3° • 5° • Other: _____°

7) Foot Width

- 8" 9" 10" 11" Other: _____"

8) Lower Leg Length _____" (16", 17", etc.)

9) Backrest To Center Axle (C.G)

- 0" 1" 2" 3" Other: _____"

9a) Center Axle to Caster Housing

- 14" 15" 16" 17" Other: _____"

10) Side Wheel Clearance

- 1" 1 1/2" 2"

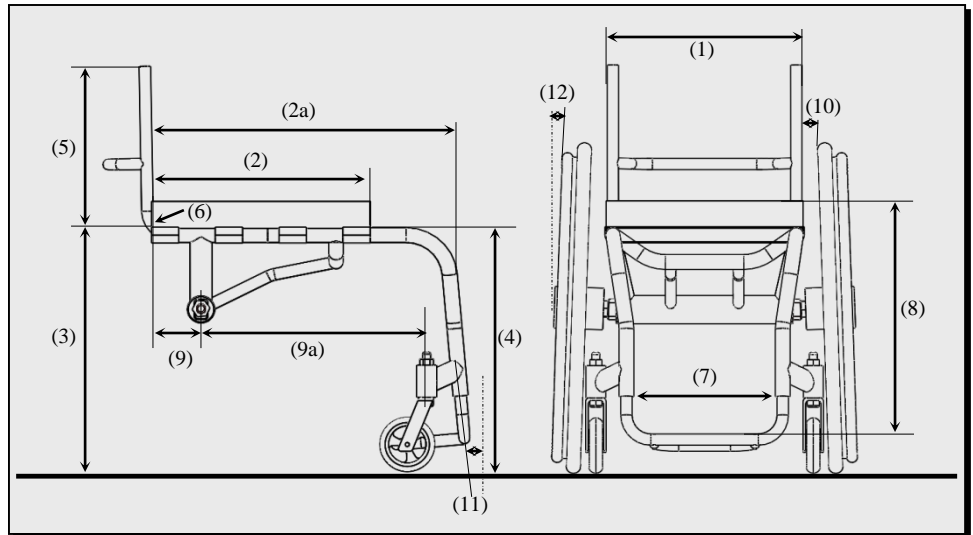
11) Front End Angle Relative to Floor

- 85° • 75°

12) Camber Angle

- 0° • 3° • 6° • 9°

Notes:



*Effective: July 2015

Pricing and specifications are subject to change without notice

Customer Service:
Telephone: 972-641-6773
Fax: 972-782-9011

PER4MAX MEDICAL
www.per4max.com
Page 1 of 2

1000 Post & Paddock Ste. 310
Grand Prairie, TX 75050

PER4MAX X-FIT

FRAME COLORS

- Sky White • Bonded Silver • Dormant Violet • Ruby Red • Glossy Black • Matte Black • Safety Yellow
- Candy Blue • Candy Red • Sparkle Green • Safety Orange • Polish (Brushed)
- Accessory Colors Standard Glossy Black • Accessory Color Option _____ (one color additional: \$350)
- Other: _____ \$TBD • Backrest • Footrest • Side Guards

WHEELCHAIR OPTIONS

5th WHEEL

- Rigid NC
- Removable Anti-Tip \$250

BACK REST

- Rigid NC
- Folding \$ 280

SIDE GUARDS (K0108)

- Aluminum (folding backrest requires removable or integrated) \$ 140
 - Removable Extra \$ 90
 - Flip and Fold..... Add \$ 260
- Special Size Aluminum (H_____x L_____) \$230
- Removable Plastic \$ 225

WHEEL LOCKS (E2206)

- Push Locks NC
- Scissors Locks \$ 220
- D's Locks \$ 1,150

CASTERS

- 3" (72mm) Micro NC
- 4x1.5" Aluminum \$100
- 5x1.5" Aluminum \$140
- 4x1" Aluminum \$ 100
- 5x1" Aluminum \$ 110
- Frog Legs (E1015) \$ 329
- Other _____ \$TBD

MISCELLANEOUS

- Swing Away Armrest (E0994) \$ 350
- Anti-Tip Bars (E0971) \$ 225
- Special Cushion (Roho, Stimulite Etc.) (E2603) \$TBD
- Foam Impact Guards (Leather or Standard)..... \$ 75
- Nylon Pouch \$ 60
- Plastic Foot Plate (K0042) \$ 80
- Tension Backrest Upholstery (E2611) \$300
- Seat Belt (E0978) \$125
- Other _____ \$TBD

WHEELS & TIRES

FRONT HORNS (Bar bell holder)

- Yes \$250
- No NC

WHEELS

Rear Wheels\$300

- 22" 24" 25" 26" 27"

Spinergy Wheels\$695

- 22" 24" 25" 26" 27"

- Black • White • Blue • Red • Yellow

Spinergy Light Extreme (LX, SLX).....add \$200

• X-LacedAdd \$50

- Green • Orange • Pink • Purple

HAND RIMS SYLE

- Hard Anodized 6 tab **Std.**
- Mounting Close to Tire

• Q- Grip \$300

Natural Fit (Please Specify Style)..... \$TBD

• Other _____ \$TBD

TIRES

High Pressure Tires (E2211, E2212) **Std.**

Schwalbe Marathon Plus \$150

Primo Sentinel Tire \$100

All Terrain Tires \$100

Solid Airless Tires (E2218) \$110

• Other _____ \$TBD

Notes:

*Effective: June 2016

Pricing and specifications are subject to change without notice

Customer Service:
Telephone: 972-641-6773
Fax: 972-782-9011

PER4MAX MEDICAL

www.per4max.com

Page 2 of 2

1000 Post & Paddock Ste. 310
Grand Prairie, TX 75050