

- Cash
- Insurance
- Grant
- Other \_\_\_\_\_

Rep.: \_\_\_\_\_  
Event: \_\_\_\_\_

Name: \_\_\_\_\_  
Address: \_\_\_\_\_  
City: \_\_\_\_\_  
State: \_\_\_\_\_ Zip: \_\_\_\_\_  
Email: \_\_\_\_\_

Date: \_\_\_\_\_ SSN#: XXX - XX - \_\_\_\_\_  
Age: \_\_\_\_\_ Weight (lbs.): \_\_\_\_\_ Height: \_\_\_\_\_' \_\_\_\_\_"  
Disability: \_\_\_\_\_  
Tel #: ( ) \_\_\_\_\_ - \_\_\_\_\_ (Home or Work)  
Other Info: \_\_\_\_\_

**FRAME SPECIFICATION**

**Model**

Trans4max..... Retail: \$3,495  
 5/8 Axle.....Add \$100  
 Radial.....Add \$300

**1) Seat Width**

14"  15"  16"  17"  18"

**2) Seat Depth**

14"  15"  16"  17"  18"

2a) **Total Length** \_\_\_\_\_"

**3) Rear Seat Height**

15"  16"  17"  18"  19"  20"

**4) Front Seat Height**

15"  16"  17"  18"  19"  20"

**5) Backrest Height**

10"  12"  14"  16"  Other: \_\_\_\_\_"

Back Height Adj.: From \_\_\_\_\_" to \_\_\_\_\_" ..... \$80

**6) Back Angle**

• 0° • 3° • 5° • Other: \_\_\_\_\_°

**7) Foot Width**

8"  9"  10"  11"  Other: \_\_\_\_\_"

**8) Lower Leg Length** \_\_\_\_\_" (16", 17", etc.)

**9) Backrest To Center Axle (C.G)**

0"  1"  2"  3"  Other: \_\_\_\_\_"

**10) Center Axle to Caster Housing**

14"  15"  16"  17"  Other: \_\_\_\_\_"

**11) Side Wheel Clearance**

1"  1 1/2"  2"

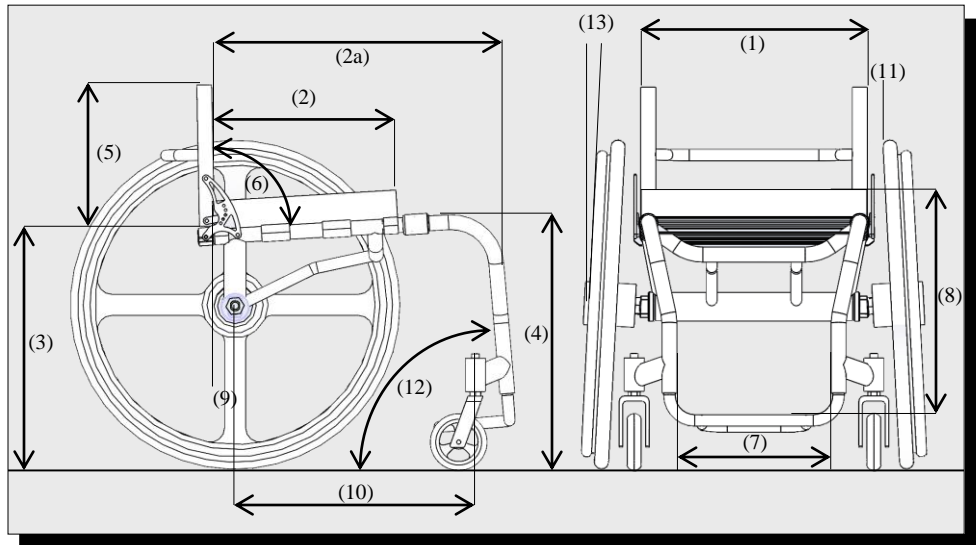
**12) Front End Angle Relative to Floor**

• 85° • 80° • 75°

**13) Camber Angle**

• 0° • 2° • 3°

Notes:



\*Effective: June 2018

Pricing and specifications are subject to change without notice.

Customer Services:  
Telephone: 972-641-6773  
Fax: 972-782-9011

**PER4MAX MEDICAL**  
www.per4max.com  
Page 1 of 2

1000 Post & Paddock, Suite 310  
Grand Prairie, Texas 75050

# PER4MAX SKYE-TRANS4MAX

## FRAME COLORS

- Sky White • Bonded Silver • Dormant Violet • Ruby Red • Glossy Black • Matte Black • Safety Yellow
- Candy Blue • Candy Red • Sparkle Green • Safety Orange • Polish (Brushed)
- Accessory Colors Standard Glossy or Matte Black      Accessory Color Option \_\_\_\_\_ (one color additional: \$350)
- Other: \_\_\_\_\_ \$TBD      • Backrest • Footrest • Side Guards

### BACK REST

- Rigid ..... NC
- Folding ..... NC

### WHEELCHAIR OPTIONS

### PUSH HANDLES

- Removable ..... \$ 250
- Retractable ..... \$ 250

### SIDE GUARDS (K0108)

- Aluminum (Folding backrest requires removable or integrated) \$ 140
  - Removable..... Add \$ 90
  - Flip and Fold..... Add \$ 260
- Carbon Fiber ..... \$500
- Special Size Aluminum (H\_\_\_\_\_ x L\_\_\_\_\_ )..... \$230
- Removable Plastic ..... \$ 225

### WHEEL LOCKS (E2206)

- Push Locks ..... NC
- Scissors Locks ..... \$ 220
- D's Locks ..... \$650

### CASTERS

- 3" (72mm) Micro ..... NC
- 4x1.5" Aluminum ..... \$100
- 5x1.5" Aluminum ..... \$140
- 4x1" Aluminum ..... \$ 100
- 5x1" Aluminum ..... \$ 110
- Frog Legs (E1015) ..... \$ 329
- Other \_\_\_\_\_ \$TBD

### MISCELLANEOUS

- Swing Away Armrest (E0994) ..... \$ 350
- Anti-Tip Bars (E0971) ..... \$ 225
- Special Cushion (Roho, Stimulite Etc.) (E2603) ..... \$TBD
- Foam Impact Guards(Leather or Standard.....) \$TBD
- Nylon Pouch ..... \$ 150
- Plastic Foot Plate (K0042) ..... \$ 80
- Tension Backrest Upholstery (E2611)..... \$300
- Seat Belt (E0978)..... \$125
- Other \_\_\_\_\_ \$TBD

### WHEELS & TIRES

#### WHEELS

Rear Wheels .....\$300

- 24"    25"    26"    27"

Spinergy Wheels .....\$695

- 24"    25"    26"    27"

- Black • White • Blue • Red • Yellow

Spinergy Light Extreme (LX, SLX).....Add \$200

• X-Laced .....Add \$50

- Green • Orange • Pink • Purple

#### HAND RIMS SYLE

Hard Anodized 6 tab ..... **Std.**

- Mounting Close to Tire

• Q- Grip ..... \$300

Natural Fit (Please Specify Style)..... \$TBD

• Other \_\_\_\_\_ \$TBD

#### TIRES

• High Pressure Tires (E2211, E2212)..... **Std.**

Schwalbe Marathon Plus ..... \$150

Primo Sentinel Tire ..... \$100

All Terrain Tires ..... \$100

• Solid Airless Tires (E2218) ..... \$110

• Other \_\_\_\_\_ \$TBD

# Notes:

\*Effective: June 2018

Pricing and specifications are subject to change without notice

Customer Services:  
Telephone: 972-641-6773  
Fax: 972-782-9011

**PER4MAX MEDICAL**  
www.per4max.com  
Page 2 of 2

1000 Post & Paddock, Suite 310  
Grand Prairie, Texas 75050