

- Cash
- Insurance
- Grant
- VA \_\_\_\_\_

# PER4MAX THUNDER

Rep.: \_\_\_\_\_  
Event: \_\_\_\_\_

Name: \_\_\_\_\_  
Address: \_\_\_\_\_  
City: \_\_\_\_\_  
State: \_\_\_\_\_ Zip: \_\_\_\_\_  
Email: \_\_\_\_\_

Date: \_\_\_\_\_ SSN# : XXX - XX - \_\_\_\_\_  
Age: \_\_\_\_\_ Weight (lbs.): \_\_\_\_\_ Height: \_\_\_\_\_' \_\_\_\_\_"  
Disability: \_\_\_\_\_  
Tel #: ( ) \_\_\_\_\_ - \_\_\_\_\_ (Home or Work)  
Other Info: \_\_\_\_\_

## FRAME SPECIFICATION

### Model

THUNDER ..... Retail: \$2995

- 7000 Series.....Add \$400
- Radial.....Add \$300
- 5/8 Axle.....Add \$100

### SPORT:

- Basketball
- Tennis
- Softball (No Front Bumper)

#### 1) Seat Width

- 12" • 13"  14" • 15"  16" • 17"  18"
- Optional Tapered @ the Knee \_\_\_\_\_" ..... \$125

#### 2) Seat Depth

- 12" • 13"  14" • 15"  16" • 17"  18"

#### 3) Total Length \_\_\_\_\_"

#### 4) Rear Seat Height

- 17" • 18"  19" • 20"  21" • Other \_\_\_\_\_"
- Optional Plastic Seat Plate..... \$125

#### 5) Front Seat Height

- 17" • 18"  19" • 20"  21" • Other \_\_\_\_\_"

#### 6) Backrest Height

- 8" • 10"  12" • 14" • Other: \_\_\_\_\_"
- Back Height Adj. : From \_\_\_\_\_" to \_\_\_\_\_" ..... \$80

#### 7) Back Angle

- 0° • 3° • 5°
- Other: \_\_\_\_\_° (⊥ Seat or ⊥ Floor)

#### 8) Foot Width

- 7"  8"  9"  10"  Other: \_\_\_\_\_"

#### 9) Lower Leg Length \_\_\_\_\_" (16", 17", etc.)

#### 10) Backrest To Center Axle

- 4"  5"  6"  7"  Other: \_\_\_\_\_"

#### 11) Center Axle To Caster Housing

- 15"  16"  17"  18"  Other: \_\_\_\_\_"

#### 12) Caster Housing To Front Foot Plate

- 6" Std.  Other: \_\_\_\_\_"

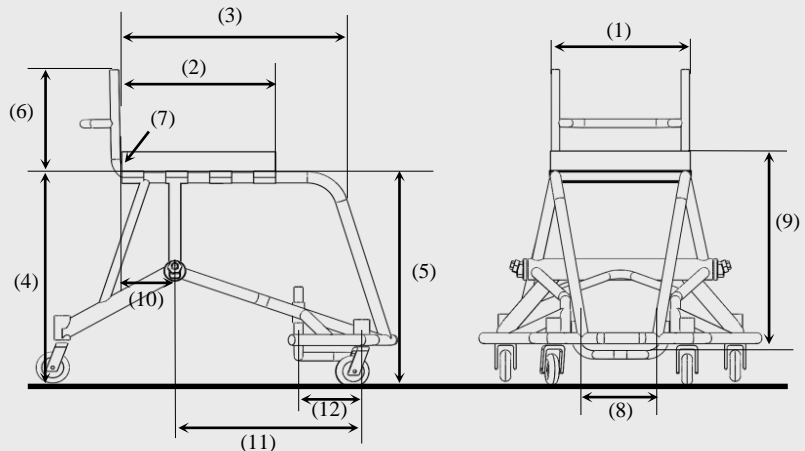
#### 13) Side Wheel Clearance

- 1/2"  1"  1 1/2"  2"

#### 14) Camber Angle

- 15° • 17° • 18° • 20° • Other: \_\_\_\_\_°

# Notes:



\*Effective: June 2018

Pricing and specifications are subject to change without notice.

Customer Service  
Telephone: 972-641-6773  
Fax: 972-782-9011

**PER4MAX Inc.**  
www.per4max.com  
Page 1 of 2

1000 Post & Paddock, Suite 310  
Grand Prairie, Texas 75050

# PER4MAX THUNDER

## FRAME COLORS

- Sky White • Bonded Silver • Dormant Violet • Ruby Red • Glossy Black (Matte) • Metallic Gray (Matte)
  - Safety Yellow • Candy Blue • Candy Red • Sparkle Green • Safety Orange • Polish (Brushed)
  - Accessory Colors Standard Glossy or Matte Black • Accessory Color Option \_\_\_\_\_ (one color additional: \$350)
- see more options at [per4max.fit](#)*
- Other: \_\_\_\_\_ \$TBD • Backrest • Footrest • Side Guards

## WHEELCHAIR OPTIONS

### 5th WHEEL

- Rigid ..... **Std.**
- Dual Rigid ..... \$250
- Removable ..... \$250

### CLICK STRAP

- Waist Strap Size \_\_\_\_\_" ..... \$100
- Lap Strap Size \_\_\_\_\_" ..... \$75
- Foot Strap Size \_\_\_\_\_" ..... \$75

### BACK REST

- Rigid ..... **Std.**
- Continuous ..... \$280
  - Optional Welded Sideguard w/ rail..... Add \$260

### SIDE GUARDS (std. fixed)

- Aluminum ..... \$140
- Carbon Fiber ..... \$500
- Special Size Aluminum (H\_\_\_\_\_x L\_\_\_\_\_). ..... \$230

### CASTERS

- 3" (72mm) Micro ..... **Std.**
- Other \_\_\_\_\_ \$TBD

### MISCELLANEOUS

- Hard Cushion ..... \$120
- Special Cushion (Roho, Stimulite Etc.)..... \$TBD
- Foam Impact Guards (Leather or Standard) ..... \$TBD
- Tension Backrest Upholstery ..... \$300
- Footplate (Plastic or Carbon Fiber)..... \$TBD
- Custom Wing Cut Outs ..... \$350
- Other \_\_\_\_\_ \$TBD

## WHEELS & TIRES

### WHEELS

- Rear Wheels ..... \$300
  - 22"  24"  25"  26"  27"
- Spinergy Wheels ..... \$695
  - 22" • 24"  25"  26"  27"
  - Black • White • Blue • Red • Yellow
  - Spinergy Sport Light Extreme (SLX) ..... add \$200
    - X-Laced ..... Add \$50
    - Green • Orange • Pink • Purple

### HAND RIMS SYLE

- Hard Anodized 6 tab ..... **Std.**
  - Mounting Close to Tire
- Hard Anodized 12 tab ..... \$95
  - Mounting Close to Tire
- Other \_\_\_\_\_ \$TBD

### TIRES

- High Pressure Tires ..... **Std.**
- Schwalbe Speed Air Tires ..... \$150
- IRC (only 27")..... \$170
- Kenda (Specify color)..... \$60
- Other \_\_\_\_\_ \$TBD

Notes:

\*Effective: June 2018

Pricing and specifications are subject to change without notice

Customer Service  
Telephone: 972-641-6773  
Fax: 972-782-9011

**PER4MAX Inc.**  
[www.per4max.com](http://www.per4max.com)  
Page 2 of 2

1000 Post & Paddock, Suite 310  
Grand Prairie, Texas 75050