

- Cash
- Insurance
- Grant
- VA _____

Rep.: _____
Event: _____

Name: _____
Address: _____
City: _____
State: _____ Zip: _____
Email: _____

Date: _____ SSN#: XXX - XX - _____
Age: _____ Weight (lbs.): _____ Height: _____' _____"
Disability: _____
Tel #: () _____ - _____ (Home or Work)
Other Info: _____

FRAME SPECIFICATION

Model

SKYE (K0005) Retail: \$2,695

- 7000 Series Add \$400
- Skye-Shock Modification Add \$1,100
- Radial Add \$300

1) Seat Width (E2201- WIDTH 20-24")

- 14" • 15" • 16" • 17" • 18"

2) Seat Depth (E2203- DEPTH 20-22")

- 14" • 15" • 16" • 17" • 18"

2a) Total Length _____"

3) Rear Seat Height

- 15" • 16" • 17" • 18" • 19" • 20"

4) Front Seat Height

- 15" • 16" • 17" • 18" • 19" • 20"

5) Backrest Height

- 10" • 12" • 14" • 16" • Other: _____"

- Back Height Adj.: From _____" to _____" \$ 80

6) Back Angle

- 0° • 3° • 5° • Other: _____°

7) Foot Width

- 8" • 9" • 10" • 11" • Other: _____"

8) Lower Leg Length _____" (16", 17", etc.)

9) Backrest To Center Axle (C.G)

- 0" • 1" • 2" • 3" • Other: _____"

9a) Center Axle to Caster Housing

- 14" • 15" • 16" • 17" • Other: _____"

10) Side Wheel Clearance

- 1" • 1 1/2" • 2"

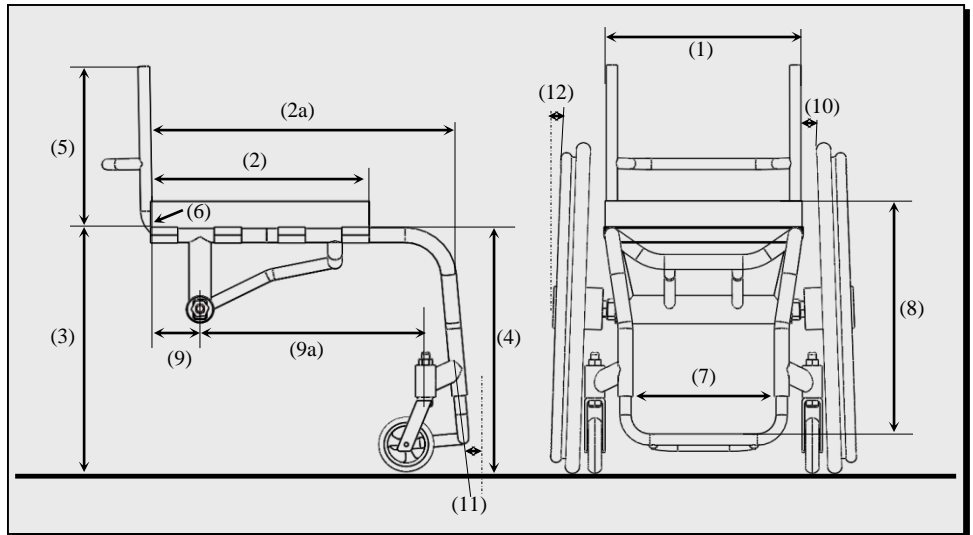
11) Front End Angle Relative to Floor

- 85° • 75°

12) Camber Angle

- 0° • 2° • 3°

Notes:



*Effective: June 2018

Pricing and specifications are subject to change without notice

<p>Customer Service: Telephone: 972-641-6773 Fax: 972-782-9011</p>	<p>PER4MAX Inc. www.per4max.com Page 1 of 2</p>	<p>1000 Post & Paddock Ste. 310 Grand Prairie, TX 75050</p>
--	--	---

PER4MAX SKYE

FRAME COLORS

- Sky White • Bonded Silver • Dormant Violet • Ruby Red • Glossy Black (Matte) • Metallic Grey (Matte)
- Safety Yellow • Candy Blue • Candy Red • Sparkle Green • Safety Orange • Polish (Brushed)
- Accessory Colors Standard Glossy or Matte Black Accessory Color Option _____ (one color additional: \$350)
see more options at per4max.fit
- Other: _____ \$TBD • Backrest • Footrest • Side Guards

BACK REST WHEELCHAIR OPTIONS

- Rigid NC
- Folding \$ 280

PUSH HANDLES

- Removable \$ 250
- Retractable \$ 250

SIDE GUARDS (K0108)

- Aluminum (Folding backrest requires removable or integrated) \$ 140
 - Removable..... Add \$ 90
 - Flip and Fold..... Add \$ 260
- Carbon Fiber \$500
- Special Size Aluminum (H _____ x L _____)..... \$230
- Removable Aluminum \$ 225

WHEEL LOCKS (E2206)

- Push Locks NC
- Scissors Locks \$ 220
- D's Locks \$650

CASTERS

- 3" (72mm) Micro NC
- 4x1.5" Aluminum \$100
- 5x1.5" Aluminum \$140
- 4x1" Aluminum \$ 100
- 5x1" Aluminum \$ 110
- Frog Legs (E1015) \$ 329
- Other _____ \$TBD

MISCELLANEOUS

- Swing Away Armrest (E0994) \$ 350
- Anti-Tip Bars (E0971) \$ 225
- Special Cushion (Roho, Stimulite Etc.) (E2603) \$TBD
- Foam Impact Guards (Leather or Standard)..... \$TBD
- Nylon Pouch \$ 150
- Plastic Foot Plate (K0042) \$ 80
- Tension Backrest Upholstery (E2611)..... \$300
- Seat Belt (E0978)..... \$125
- Other _____ \$TBD

WHEELS & TIRES

WHEELS

- Rear Wheels\$300
 - 22" 24" 25" 26" 27"
- Spinergy Wheels\$695
 - 22" 24" 25" 26" 27"
 - Black • White • Blue • Red • Yellow
 - Spinergy Light Extreme (LX, SLX).....add \$200
 - X-LacedAdd \$50
 - Green • Orange • Pink • Purple

HAND RIMS SYLE

- Hard Anodized 6 tab **Std.**
 - Mounting Close to Tire
- Q- Grip \$300
- Natural Fit (Please Specify Style)..... \$TBD
- Other _____ \$TBD

TIRES

- High Pressure Tires (E2211, E2212)..... **Std.**
- Schwalbe Marathon Plus \$150
- Primo Sentinel Tire \$100
- All Terrain Tires \$100
- Solid Airless Tires (E2218) \$110
- Other _____ \$TBD

Notes:

**Effective: June 2018*

Pricing and specifications are subject to change without notice

Customer Service:
Telephone: 972-641-6773
Fax: 972-782-9011

PER4MAX Inc.
www.per4max.com
Page 2 of 2

1000 Post & Paddock Ste. 310
Grand Prairie, TX 75050