

- Cash
- Insurance
- Grant
- VA \_\_\_\_\_

# PER4MAX SHOCKWAVE

Rep.: \_\_\_\_\_  
Event: \_\_\_\_\_

Name: \_\_\_\_\_  
Address: \_\_\_\_\_  
City: \_\_\_\_\_  
State: \_\_\_\_\_ Zip: \_\_\_\_\_  
Email: \_\_\_\_\_

Date: \_\_\_\_\_ SSN# : XXX - XX - \_\_\_\_\_  
Age: \_\_\_\_\_ Weight (lbs.): \_\_\_\_\_ Height: \_\_\_\_\_' \_\_\_\_\_"  
Disability: \_\_\_\_\_  
Tel #: ( ) \_\_\_\_\_ - \_\_\_\_\_ (Home or Work)  
Other Info: \_\_\_\_\_

## FRAME SPECIFICATION

### Model

SHOCKWAVE (K0005) ..... Retail: \$ 3795

- 7000 Series ..... Add \$400
- 5/8 Axle ..... Add \$100

### Seat Width (E2201- WIDTH 20-24")

- 12"  13"  14"  15"  16"  17"  18"
- Other \_\_\_\_\_ (Add \$250)

### 2) Seat Depth (E2203- DEPTH 20-22")

- 12"  13"  14"  15"  16"  17"  18"
- Other \_\_\_\_\_

### 3) Total Length \_\_\_\_\_"

### 4) Rear Seat Height

- 16"  17"  18"  19"  20"  21"

### 5) Front Seat Height

- 16"  17"  18"  19"  20"  21"

### 6) Backrest Height

- 10"  12"  14"  16"  Other: \_\_\_\_\_"
- Back Height Adj. : From \_\_\_\_\_" to \_\_\_\_\_" ..... \$ 80

### 7) Back Angle

- 0° • 3° • 5° • Other: \_\_\_\_\_°

### 8) Foot Width

- 8"  9"  10"  11"  Other: \_\_\_\_\_"

### 9) Lower Leg Length \_\_\_\_\_" (16", 17", etc.)

### 10) Backrest To Center Axle

- 0"  1"  2"  3"  Other: \_\_\_\_\_"

### 11) Center Axle To Caster Housing

- 14"  15"  16"  17"  Other: \_\_\_\_\_"

### 12) Caster Housing To Front Foot Plate

- 3"  4"  5"  6"  Other: \_\_\_\_\_"

### 13) Center of Caster to Caster

- 12"  14"  16"  18"  Other: \_\_\_\_\_"

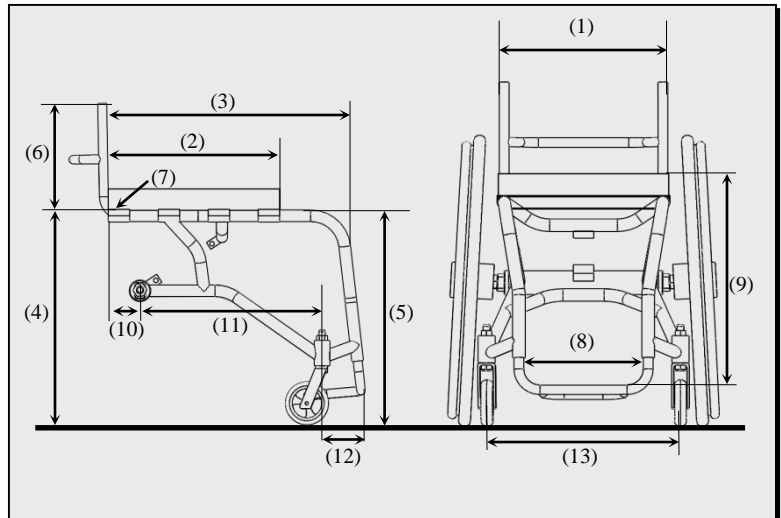
### 14) Side Wheel Clearance

- 1/2"  1"  1 1/2"  2"

### 15) Camber Angle

- 0° • 2° • 3° • Other: \_\_\_\_\_°

# Notes:



\*Effective: June 2018

Pricing and specifications are subject to change without notice

Customer Service:  
Telephone: 972-641-6773  
Fax: 972-782-9011

PER4MAX Inc.  
www.per4max.com  
Page 1 of 2

1000 Post & Paddock Ste. 310  
Grand Prairie, TX 75050

# PER4MAX SHOCKWAVE

## FRAME COLORS

- Sky White • Bonded Silver • Dormant Violet • Ruby Red • Glossy Black (Matte) • Metallic Grey (Matte)
  - Safety Yellow • Candy Blue • Candy Red • Sparkle Green • Safety Orange • Polish (Brushed)
  - Accessory Colors Standard Glossy or Matte Black      Accessory Color Option \_\_\_\_\_ (one color additional: \$350)
- see more options at [per4max.fit](http://per4max.fit)*
- Other: \_\_\_\_\_ \$TBD      • Backrest • Footrest • Camber Bar • Side Guards

## WHEELCHAIR OPTIONS

### BACK REST

- Rigid ..... NC
- Folding ..... \$ 280

### PUSH HANDLES

- Removable ..... \$ 250
- Retractable ..... \$ 250

### SIDE GUARDS (K0108)

- Aluminum (Folding backrest requires removable or integrated) \$ 140
  - Removable..... Add \$ 90
  - Flip and Fold..... Add \$ 260
- Carbon Fiber ..... \$500
- Special Size Aluminum (H\_\_\_\_\_x L\_\_\_\_\_). ..... \$230

- Removable Plastic ..... \$ 225

### WHEEL LOCKS (E2206)

- Push Locks ..... NC
- Scissors Locks ..... \$ 220
- D's Locks ..... \$650

### CASTERS

- 3" (72mm) Micro ..... NC
- 4x1.5" Aluminum ..... \$100
- 5x1.5" Aluminum ..... \$140
- 4x1" Aluminum ..... \$ 100
- 5x1" Aluminum ..... \$ 110
- Frog Legs (E1015) ..... \$ 329
- Other \_\_\_\_\_ \$TBD

### MISCELLANEOUS

- Swing Away Armrest (E0994) ..... \$ 350
- Anti-Tip Bars (E0971) ..... \$ 225
- Special Cushion (Roho, Stimulite Etc.) (E2603) ..... \$TBD
- Foam Impact Guards (Leather or Standard)..... \$ TBD
- Nylon Pouch ..... \$ 150
- Foot Plate Carbon (Fiber or Plastic)(K0042) ..... \$ TBD
- Tension Backrest Upholstery (E2611)..... \$300
- Seat Belt (E0978)..... \$125
- Other \_\_\_\_\_ \$TBD

## WHEELS & TIRES

### WHEELS

- Rear Wheels .....\$300
  - 22"  24"  25"  26"  27"

- Spinergy Wheels .....\$695
  - 22"  24"  25"  26"  27"

- Black • White • Blue • Red • Yellow
- Spinergy Light Extreme (LX, SLX).....add \$200
  - X-Laced .....Add \$50
  - Green • Orange • Pink • Purple

### HAND RIMS SYLE

- Hard Anodized 6 tab ..... **Std.**
  - Mounting Close to Tire
- Q- Grip ..... \$300
- Natural Fit (Please Specify Style)..... \$TBD
- Other \_\_\_\_\_ \$TBD

### TIRES

- High Pressure Tires (E2211, E2212)..... **Std.**
  - Schwalbe Marathon Plus ..... \$150
  - Primo Sentinel Tire ..... \$100
  - All Terrain Tires ..... \$100
- Solid Airless Tires (E2218) ..... \$110
- Other \_\_\_\_\_ \$TBD

# Notes:

*\*Effective: June 2018  
Pricing and specifications are subject to change without notice*

Customer Service:  
Telephone: 972-641-6773  
Fax: 972-782-9011

**PER4MAX Inc.**  
[www.per4max.com](http://www.per4max.com)  
Page 2 of 2

1000 Post & Paddock Ste. 310  
Grand Prairie, TX 75050