

- Cash
- Grant
- Other \_\_\_\_\_

# PER4MAX CATAPULT

Rep.: \_\_\_\_\_

Event: \_\_\_\_\_

Name: \_\_\_\_\_  
 Address: \_\_\_\_\_  
 City: \_\_\_\_\_  
 State: \_\_\_\_\_ Zip: \_\_\_\_\_  
 Email: \_\_\_\_\_

Date: \_\_\_\_\_ SSN# : XXX - XX - \_\_\_\_\_  
 Age: \_\_\_\_\_ Weight (lbs.): \_\_\_\_\_ Height: \_\_\_\_\_' \_\_\_\_\_"  
 Disability: \_\_\_\_\_  
 Tel #: ( ) \_\_\_\_\_ - \_\_\_\_\_ (Home or Work)  
 Other Info: \_\_\_\_\_

## FRAME SPECIFICATION

### Model

CATAPULT ..... Retail: \$1,495

### 1) Seat Width

14" •  15"  16" •  17"  18" • Other: \_\_\_\_\_"

### 2) Seat Depth

14" •  15"  16" •  17"  18" • Other: \_\_\_\_\_"

### 3) Seat Height

27 1/2" (Maximum Height with 2" Cushion is 29 1/2")

• Other: \_\_\_\_\_"

4a) Backrest Height Minimum  10" •  12"  14" •  16"

• Other: \_\_\_\_\_"

4b) Backrest Height Maximum (4" Travel)  14" •  16" •

18" • 20" • Other: \_\_\_\_\_"

5) Lower Leg Length \_\_\_\_\_" (16", 17", etc.)

6) Strap Location relative to backrest \_\_\_\_\_" (6", 7", etc.)

Pole Length (Standard 4 foot) \_\_\_\_\_" (5 foot, 6 foot, etc.)

## FRAME COLORS

- Sky White
- Bonded Silver
- Dormant Violet
- Ruby Red
- Glossy Black
- Matte Black
- Safety Yellow
- Candy Blue
- Candy Red
- Sparkle Green
- Safety Orange
- Polish (Brushed)
- Other Color: \_\_\_\_\_ (additional: \$350)

## OPTIONS

### CLICK STRAP

Waist Strap Size \_\_\_\_\_" .....\$100

Foot Strap Size \_\_\_\_\_" .....\$75

### Wheels

4"x1.5 Plastic Caster Assembly Set .....\$150

4"x1.5 Aluminum Caster Assembly Set .....\$250

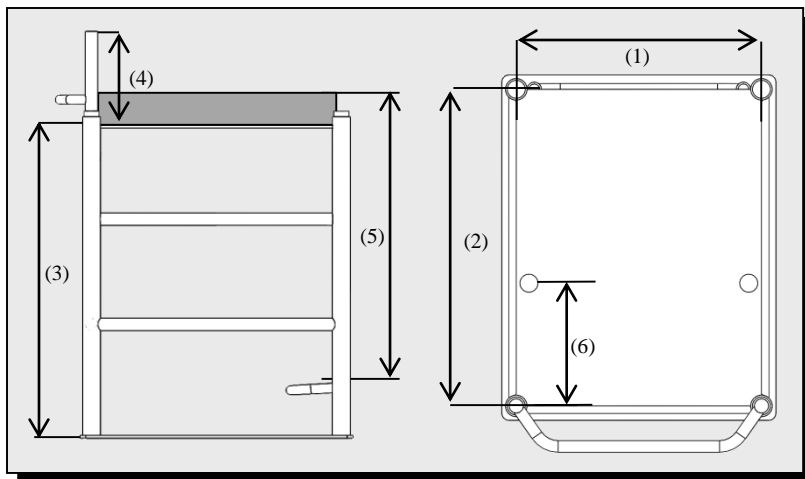
### Cushion

2" Cushion .....STD

Hard Cushion .....\$120

Special Cushion (Roho, Stimulite Etc.).....\$TBD

# Notes:



\*Effective: OCTOBER 2015

Pricing and specifications are subject to change without notice.

Customer Service  
 Telephone: 972-641-6773  
 Fax: 972-782-9011

PER4MAX MEDICAL  
 www.per4max.com  
 Page 1 of 1

1000 Post & Paddock, Suite 310  
 Grand Prairie, Texas 75050