

The Photon 4X



As you roll onto the court, you will strike fear in the heart of your opponent. The Photon 4X is quick, light, and responsive with an average weight of 16 pounds. It has the stability to whip around the court with confidence. The Photon contains an innovative foot plate shoe mount that will allow you to lock your feet into position, enhancing your maneuverability and stability. We also provide an optional knee support to increase your range of motion. So, ride the ray of light to victory on the Photon 4X.

"VERY Light weight, Very responsive, Has a great foot strapping system that compares to no other. It is a great chair! I would recommend it to anyone else if you are looking for a new chair. Excellent Pricing!" - Jerry, Troy, MI
USA Tech Guide.org

Standard Features

- ~Custom Fit to User's Needs
- ~Rigid 5th Wheel
- ~Light Weight 16 lbs. Avg..
- ~Adjustable Foot Plate Shoe Mount
- ~6061-T6 Aluminum Alloy Frame
- ~Black Upholstery
- ~3+Front Casters
- ~Powder Coated Frame
- ~3yr. Warranty on Frame

Optional Features

- ~Spinergy Wheels
- ~Special Colors
- ~Knee Support Nest
- ~Removable 5th Wheel
- ~Snap Click Strap

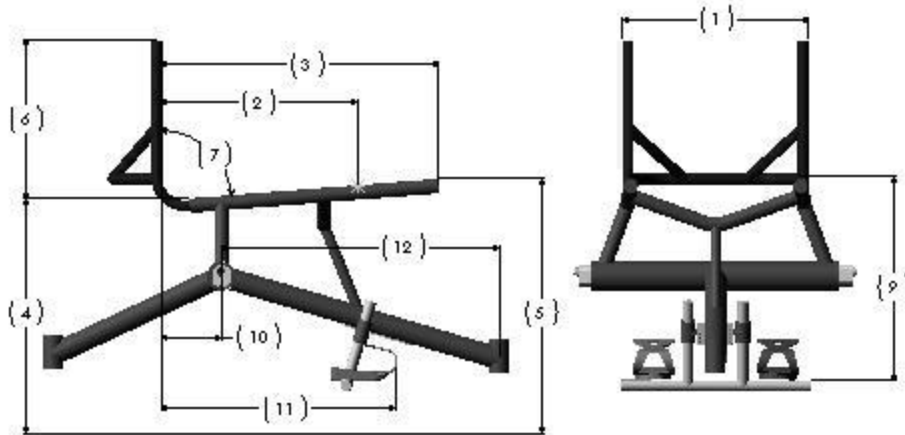


Adjustable Rotating Instep
Toe Clip Pedals



Optional
Rigid 5th Wheel
or
Removable 5th Wheel

The Photon 4X

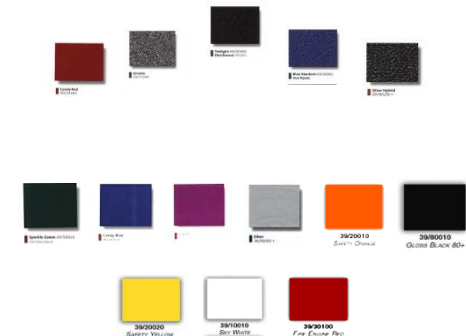


Adjustable Side Wheel Clearance Insert

Rear Wheels

- "27 x 1 (23-700)
- "26 x 1 (23-590)
- "25 x 1 (23-559)
- "24 x 1 (23-540)

Frame Color Options



Standard Measurements (with Ranges)

1) Seat Width	15+	(12+20+)
2) Seat Depth	15+	(12+20+)
3) Top Total Length	21+	(19-23)
4) Rear Seat Height	17+	(14+21+)
5) Front Seat Height	19+	(14+21+)
6) Back Height	10+	(10"-16")
7) Back Angle	0°	(0,3,5°)
8) Knee Width	11+	(8+13+)
9) Lower Leg Length	17+	(10+23+)
10) Backrest to Axle	4+	(0+6+)
11) Backrest to Front Toe	17+	(15+19+)
12) Axle to Caster	22+	(18+24+)
13) Side Wheel Clearance	1+	(1/2-2+)
14) Camber Angle	15°	(12°-20°)

Waist Strap



Lap Strap

Optional Waist Click Strap and Lap Strap

Per4max Medical, LLC

612 N. Great Southwest Pkwy
Arlington, Texas 76011
Phone (972) 641-6773
Fax (817) 701-1786