

The Shockwave



For those that are looking for the ride of a luxury sedan & the handling of a European sports car, Per4max has developed the newest and most innovative lightweight suspension wheelchair on the market. The SHOCKWAVE alleviate any ride discomforts that most rigid chair have. We have also been able to reduced the weight without sacrificing the structural integrity of the frame. The center-mounted shock absorber can be adjusted for better comfort by increasing or decreasing the air pressure in the shock. The center of gravity (tippiness) can be adjusted by telescoping the backrest in or out the main frame with ease. Don't wait too long or you'll miss the wave.

"Very Durable, Light Weight, Best Suspension chair out there. It has an Air Fox Racing shock which can be adjusted. Great product... I wouldn't change a thing." - Mark, Sterling Heights, MI

Standard Features

- ~Custom Frame
- ~6061-T6 Aluminum Frame
- ~Black Nylon Upholstery
- ~Adjustable Center of Gravity (C.G) & Foot Height
- ~Plastic Front Casters
- ~Rigid Backrest
- ~Limited Lifetime Warranty

Optional Features

- ~Folding Back Rest
- ~5+or 4+Alum. Casters
- ~Special Color Frame
- ~Wheel Locks
- ~Anti-Tip Bars
- ~Side Guards
- ~Push Handles



Fox Racing Shock

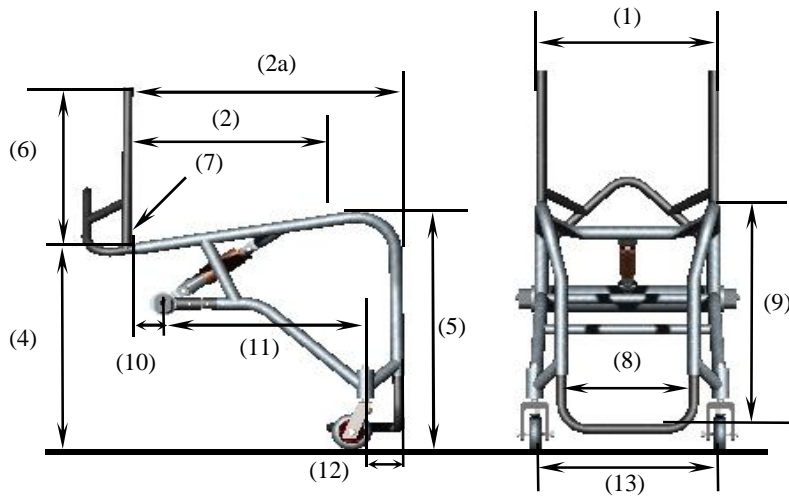
(air pressure varies 0-300 psi)



Optional

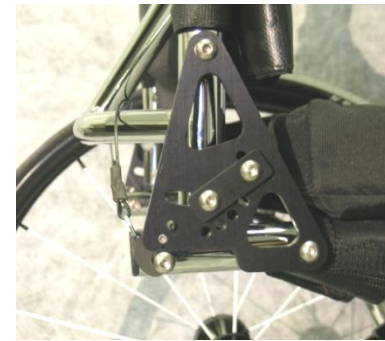
*Removable Anti-Tip Bar
&
Push Handles*

The Shockwave

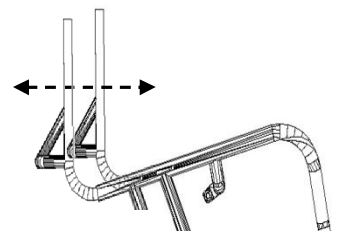


Standard Measurements (with Ranges)

1) Seat Width	15+	(12+20+)
2) Seat Depth	15+	(12+20+)
3) Tapered Front End	1/4"	(Y Style)
4) Rear Seat Height	17+	(16+21+)
5) Front Seat Height	19+	(16+21+)
6) Back Height	12+	(10"-16")
7) Back Angle	0°	(0,3,5,7°)
8) Foot Width	10+	(8+12+)
9) Lower Leg Length	17+	(10+23+)
10) Back Rest to Axle	2+	(0+5+)
11) Caster to Axle	17+	(14+19+)
12) Caster to Foot Plate	3+	(0+6+)
13) Caster Distance	15+	(13+22+)
14) Camber Angle	3°	(0°-9°)



Adjustable Angle Folding Backrest

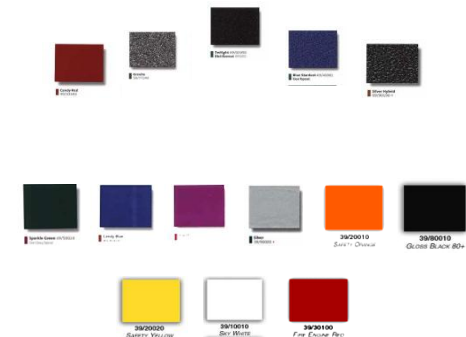


Adjustable Center of Gravity (Rigid Backrest only)

Rear Wheels

- "26 x 1 (25-590)
- "25 x 1 (25-559)
- "24 x 1 (20-540)

Frame Color Options



Per4max Medical, LLC

**612 N. Great Southwest Pkwy
Arlington, Texas 76011
Phone (972) 641-6773
Fax (817) 701-1786**