

The Thunder



The Thunder Basketball chair is one of the toughest, strongest and most reliable products on the market when it comes to performance. Its cool, aerodynamic front end protection bar allows you to break through opposing defense when you are under pressure. The chair is made of 6061-T6 Aluminum Alloy and weighs at an average of 19 pounds. Unlike other customized sports chair, the Thunder can be adjusted at the center of gravity and the footrest position by telescoping the backrest or footrest in/out the main frame. The chair comes with a rigid 5th wheel as standard and a removable 5th wheel is an option.



Adjustable Side Wheel Clearance Insert



Standard Features

- ~Custom Fit to User's Needs
- ~Rigid 5th Wheel
- ~Adjustable Chair Center of Gravity
- ~Light Weight 19 lbs. Avg.
- ~6061-T6 Aluminum Alloy Frame
- ~Black Heat Treated Rims
- ~Black Upholstery
- ~3+Front Casters
- ~Powder Coated Frame
- ~3yr. Warranty on Frame

Optional Features

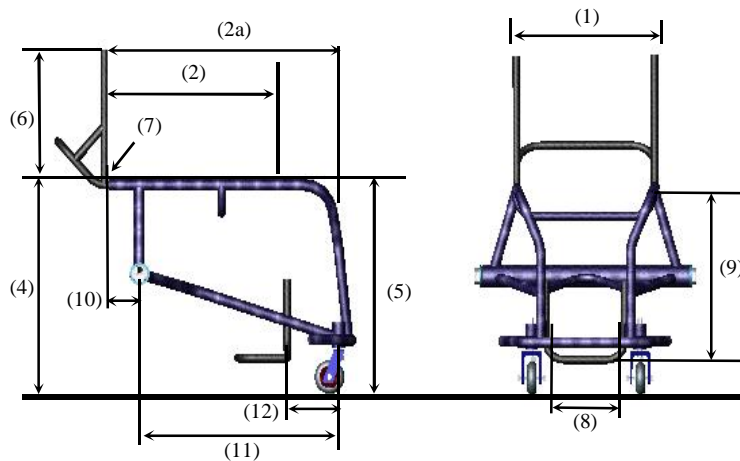
- ~SPOX Spinerge Wheels
- ~Spoke Guards
- ~Special Colors
- ~Wheel Sizes (700c, 26+, etc.)
- ~5th Wheel (Removable)
- ~Extra Camber Inserts (0-20°)
- ~Snap in Click Strap



Option

*Removable 5th Wheel
or
Rigid 5th Wheel*

The Thunder



Standard Measurements (with Ranges)

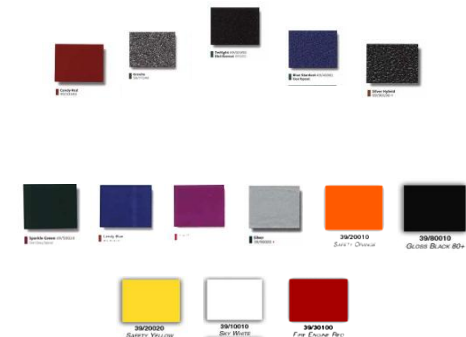
1) Seat Width	15+	(12+20+)
2) Seat Depth	15+	(12+20+)
3) Tapered Front End	5/8+	(Y Style)
4) Rear Seat Height	17+	(14+21+)
5) Front Seat Height	19+	(14+21+)
6) Back Height	10+	(10"-16")
7) Back Angle	0°	(0,3,5°)
8) Foot Width	9+	(6+14+)
9) Lower Leg Length	17+	(10+23+)
10) Back Rest to Axle	4+	(0+6+)
11) Caster to Axle	17+	(15+19+)
12) Caster to Foot Plate	5 3/4+	(5 3/4+)
13) Determined By #8	---	-----
14) Side Wheel Clearance	1+	(1/2-2+)
15) Camber Angle	15°	(12°-20°)



Rear Wheels

- "27 x 1 (23-700)
- "26 x 1 (23-590)
- "25 x 1 (23-559)
- "24 x 1 (23-540)

Frame Color Options



Per4max Medical, LLC

612 N. Great Southwest Pkwy
Arlington, Texas 76011
Phone (972) 641-6773
Fax (817) 701-1786