

PER4MAX PHOTON 4X

Name: _____
 Address: _____
 City: _____
 State: _____ Zip: _____
 Email: _____

Date: _____ SSN# : _____ - _____ - _____
 Age: _____ Weight (lbs.): _____ Height: _____' _____"
 Disability: _____
 Tel #: () _____ - _____ (Home or Work)
 Other Info: _____

FRAME SPECIFICATION

Model

PHOTON 4X Retail: \$2295

1) Seat Width

12" 13" 14" 15" 16" 17" 18"

2) Seat Depth

12" 13" 14" 15" 16" 17" 18"

3) Top Total Length _____"

4) Rear Seat Height

14" 15" 16" 17" 18" Other: _____"
 Optional Plastic Seat Plate \$125

5) Front Seat Height

14" 15" 16" 17" 18" Other: _____"

6) Backrest Height

10" 12" 14" 16" Other: _____"
 Back Height Adj. : From _____" to _____" \$80

7) Back Angle

0° 3° 5° Other: _____° (⊥ Seat or ⊥ Floor)

8) Knee Width

8" 9" 10" 11" Other: _____"

9) Lower Leg Length _____" (16", 17", etc.)

10) Backrest To Center Axle

2" 3" 4" 5" Other: _____"

11) Backrest To Front Toe

11" 12" 13" 14" Other: _____"

12) Center Axle To Caster Housing

18" 19" 20" 21" Other: _____"

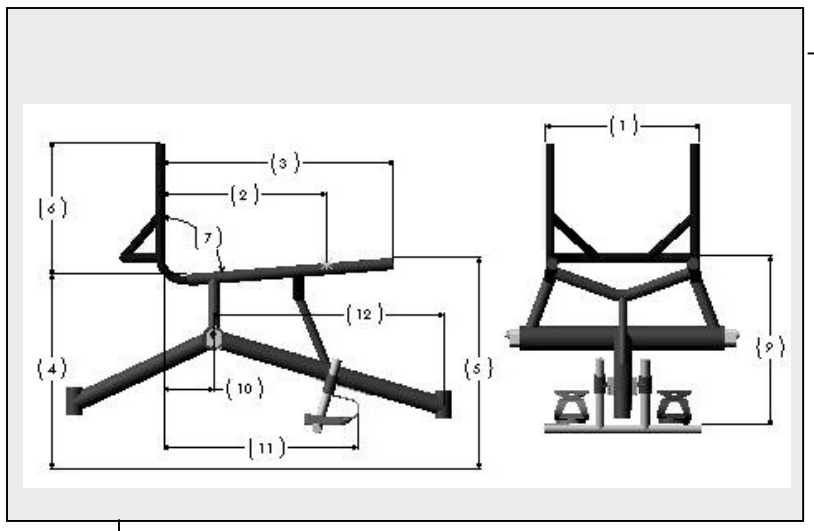
13) Side Wheel Clearance

1/2" 1" 1 1/2" 2"

14) Camber Angle

12° 15° 17° Other: _____°

Notes:



*Effective: April 2007 Rev A.

Pricing and specifications are subject to change without notice

Customer Services: Telephone: 972-641-6773 Facsimile: 972-623-0585	PER4MAX MEDICAL www.per4max.com Page 1 of 2	612 N. Great Southwest Pkwy Arlington, TX 76011
--	--	--

PER4MAX PHOTON 4X

FRAME COLORS

- Sky White Bonded Silver Dormant Violet Ruby Red Glossy Black Safety Yellow
 Candy Blue Sparkle Green Safety Orange
 Other: _____ \$TBD
 Accessory Colors Standard Glossy Black Accessory Color Option _____ (one color additional: \$350)
 Backrest Footrest Removable 5th Wheel Side Guards

WHEELCHAIR OPTIONS

5th WHEEL

- Rigid NC
 Removable \$250

CLICK STRAP

- Waist Strap Size _____" \$100
 Lap Strap Size _____" \$75

BACK REST

- Rigid NC
 Continues \$280

SIDE GUARDS (std. fixed)

- Aluminum \$140

CASTERS

- 3" (72mm) Micro NC
 56mm Micro \$60
 Other _____ \$TBD

MISCELLANEOUS

- Spoke Guards \$100
 Special Upholstery \$180
 Other _____ \$TBD

WHEELS & TIRES

WHEELS

- Rear Wheels NC
 24" **STD.**
 25" 26" 27" \$300
 Spinergy Wheels \$695
 24" 25" 26" 27"
 Black White Blue Red Yellow
 Spinergy Sport Light Extreme (SLX).....add \$200

HAND RIMS SYLE

- Hard Anodized 6 tab NC
 Hard Anodized 12 tab..... \$95
 Rhino Coated \$150
 Other _____ \$TBD

TIRES

- High Pressure Tires NC
 Tufo High Press. Tires \$120
 Other _____ \$TBD

Notes:

*Effective: April 2007 Rev A.

Pricing and specifications are subject to change without notice

Customer Services: Telephone: 972-641-6773 Facsimile: 972-623-0585	PER4MAX MEDICAL www.per4max.com Page 2 of 2	612 N. Great Southwest Pkwy Arlington, TX 76011
--	--	--